

SHOCKER FX

User Manual



Edition Notes

The Shocker FX User Manual includes a description, safety precautions, installation, programming, operation, and maintenance instructions for the Shocker FX as of the release date of this edition.

Trademarks

Chauvet, Chauvet DJ, the Chauvet logo, and SHOCKER are registered trademarks or trademarks of Chauvet & Sons, LLC (d/b/a Chauvet and Chauvet Lighting) in the United States and other countries. Other company and product names and logos referred to herein may be trademarks of their respective companies.

Copyright Notice

The works of authorship contained in this manual, including, but not limited to, all designs, text, and images are owned by Chauvet.

© Copyright 2026 Chauvet & Sons, LLC. All rights reserved.

Electronically published by Chauvet in the United States of America.

Manual Use

Chauvet authorizes its customers to download and print this manual for professional information purposes only. Chauvet expressly prohibits the usage, copy, storage, distribution, modification, or printing of this manual or its content for any other purpose without written consent from Chauvet.

Document Printing

For best results, print this document in color, on letter size paper (8.5 x 11 in), double-sided. If using A4 paper (210 x 297 mm), configure the printer to scale the content accordingly.

Intended Audience

Any person installing, operating, and/or maintaining this product should completely read through the guide that shipped with the product, as well as this manual, before installing, operating, or maintaining this product.

Disclaimer

Chauvet believes that the information contained in this manual is accurate in all respects. However, Chauvet assumes no responsibility and specifically disclaims any and all liability to any party for any loss, damage, or disruption caused by any errors or omissions in this document, whether such errors or omissions result from negligence, accident, or any other cause. Chauvet reserves the right to revise the content of this document without any obligation to notify any person or company of such revision; however, Chauvet has no obligation to make, and does not commit to make, any such revisions.

Document Revision

Go to www.chauvetdj.com for the latest version.

Revision	Date	Description
1	01/2026	Initial release.

TABLE OF CONTENTS

1. Before You Begin	1
What Is Included	1
Unpacking Instructions	1
Claims	1
Text Conventions	1
Symbols	1
Safety Notes	2
2. Introduction.....	3
Product Overview	3
Product Dimensions	4
3. Setup.....	5
AC Power	5
Fuse Replacement	5
Power Linking	6
Mounting	7
Orientation	7
Rigging	7
4. Operation.....	8
Control Panel Operation	8
Menu Map	8
DMX Configuration	9
Personality and Starting Address	9
DMX Channel Assignments and Values	10
Zones of Control	10
DMX Charts	10
43CH	10
30CH	16
18CH	17
8CH	21
Standalone Configuration	22
Static Colors	22
Auto Programs	22
Sound-Active Mode	22
Custom Color Mixing	22
Dimmer	22
Dimmer Mode	22
IRC-6 Infrared Remote Control	23
5. Maintenance	24
Product Maintenance	24
6. Technical Specifications.....	25
Contact Us.....	26
Warranty & Returns	26

1. Before You Begin

What Is Included

- Shocker FX
- Power cable
- Quick Reference Guide

Unpacking Instructions

Carefully unpack the product immediately and check the container to make sure all the parts are in the package and are in good condition.

Claims




If the box or the contents (the product and included accessories) appear damaged from shipping, or show signs of mishandling, notify the carrier immediately, not Chauvet. Failure to report damage to the carrier immediately may invalidate a claim. In addition, keep the box and contents for inspection.

For other issues, such as missing components or parts, damage not related to shipping, or concealed damage, file a claim with Chauvet within 7 days of delivery.

Text Conventions

Convention	Meaning
1–512	A range of values
50/60	A set of values of which only one can be chosen
Settings	A menu option not to be modified
<ENTER>	A key to be pressed on the product's control panel
ON	A value to be entered or selected

Symbols

Symbol	Meaning
	Critical installation, configuration, or operation information. Not following these instructions may make the product not work, cause damage to the product, or cause harm to the operator.
	Important installation or configuration information. The product may not function correctly if this information is not used.
	Useful information.

Safety Notes

These Safety Notes include important information about installation, use, and maintenance of the Shocker FX.

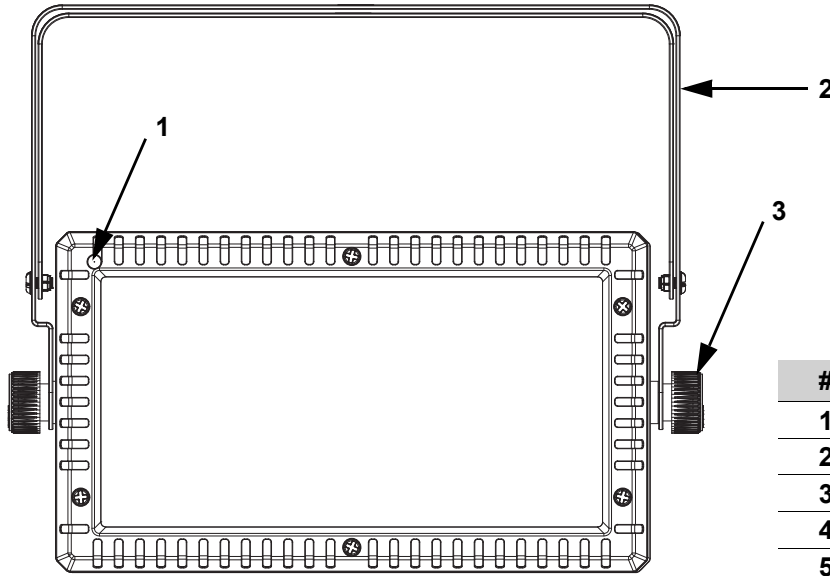
- **ALWAYS:**
 - ◆ Connect to a grounded circuit.
 - ◆ Connect to operating voltages as specified on the product's spec sticker.
 - ◆ Disconnect from power before replacing the fuse.
 - ◆ Disconnect from its power source during periods of inactivity.
 - ◆ Use a safety cable when suspending overhead.
 - ◆ Heed all restrictions and warnings on the spec sticker.
 - ◆ Mount in a location with at least 20 in (50 cm) of ventilation.
 - ◆ Replace the fuse with the same type and rating.
 - ◆ Use a clamp with a captive bolt when a single hanging bracket is used.
- In the event of a serious operating problem, stop using immediately.
- **DO NOT:**
 - ◆ Open this product or attempt any repairs. It contains no user-serviceable parts.
 - ◆ Look at the light source when the product is on.
 - ◆ Use if the power cable is crimped or damaged.
 - ◆ Disconnect by pulling on the power cable.
 - ◆ Allow flammable materials close to the product when it is operating.
 - ◆ Touch the housing when it is on.
 - ◆ Block any ventilation holes/slots in the housing.
 - ◆ Connect to a dimmer or rheostat.
 - ◆ Carry the product by its power cable.
 - ◆ Operate in temperatures higher than 104°F (40°C).
 - ◆ Expose to environments that exceed the Ingress Protection (IP) rating.
 - ◆ Expose to rain or moisture.
 - ◆ Use outdoors.
 - ◆ Submerge.



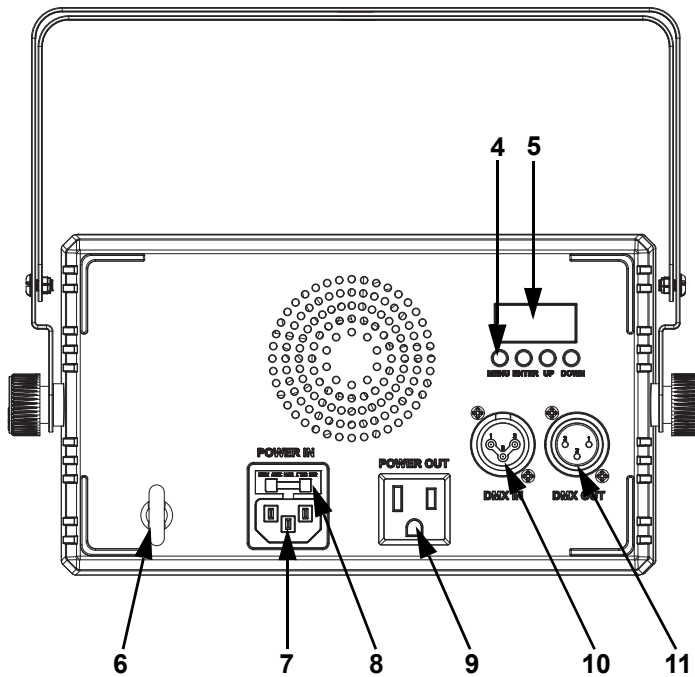
Keep this User Manual for future use. If the product is sold to someone else, be sure that they also receive this document.

2. Introduction

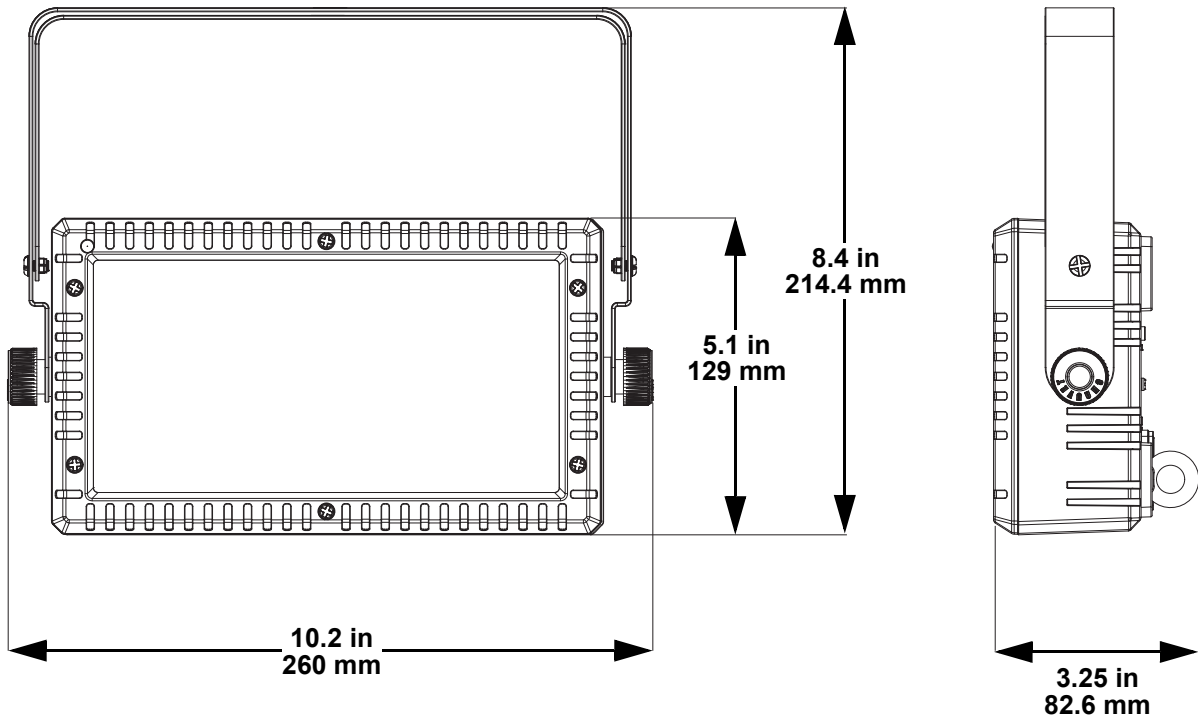
Product Overview



#	Name
1	IR receiver
2	Split mounting bracket
3	Bracket adjustment knob
4	Menu buttons
5	Display
6	Safety pass-through
7	Power in
8	Fuse holder
9	Power out
10	DMX in
11	DMX out



Product Dimensions



3. Setup

AC Power

The Shocker FX has an auto-ranging power supply and it can work with an input voltage range of 100 to 240 VAC, 50/60 Hz.

To determine the product's power requirements (circuit breaker, power outlet, and wiring), use the current value listed on the label affixed to the product's back panel, or refer to the product's specifications chart. The listed current rating indicates the product's average current draw under normal conditions.



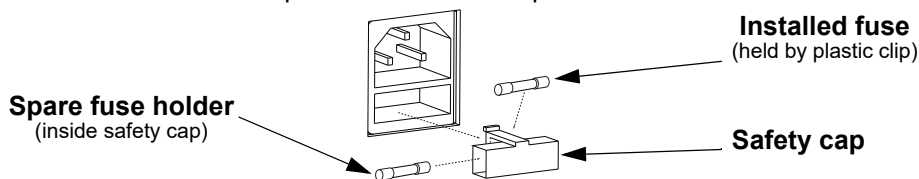
- **Always connect the product to a protected circuit (a circuit breaker or fuse). Make sure the product has an appropriate electrical ground to avoid the risk of electrocution or fire.**
- **To eliminate unnecessary wear and improve its lifespan, during periods of non-use completely disconnect the product from power via breaker or by unplugging it.**



Never connect the product to a rheostat (variable resistor) or dimmer circuit, even if the rheostat or dimmer channel serves only as a 0 to 100% switch.

Fuse Replacement

1. Disconnect the product from power.
2. Wedge the tip of a flat-head screwdriver into the slot of the fuse holder.
3. Pry the fuse holder out of the housing.
4. Remove the blown fuse from the holder and replace with a fuse of the exact same type and rating.
5. Insert the fuse holder back in place and reconnect power.



Disconnect the product from the power outlet before replacing the fuse.

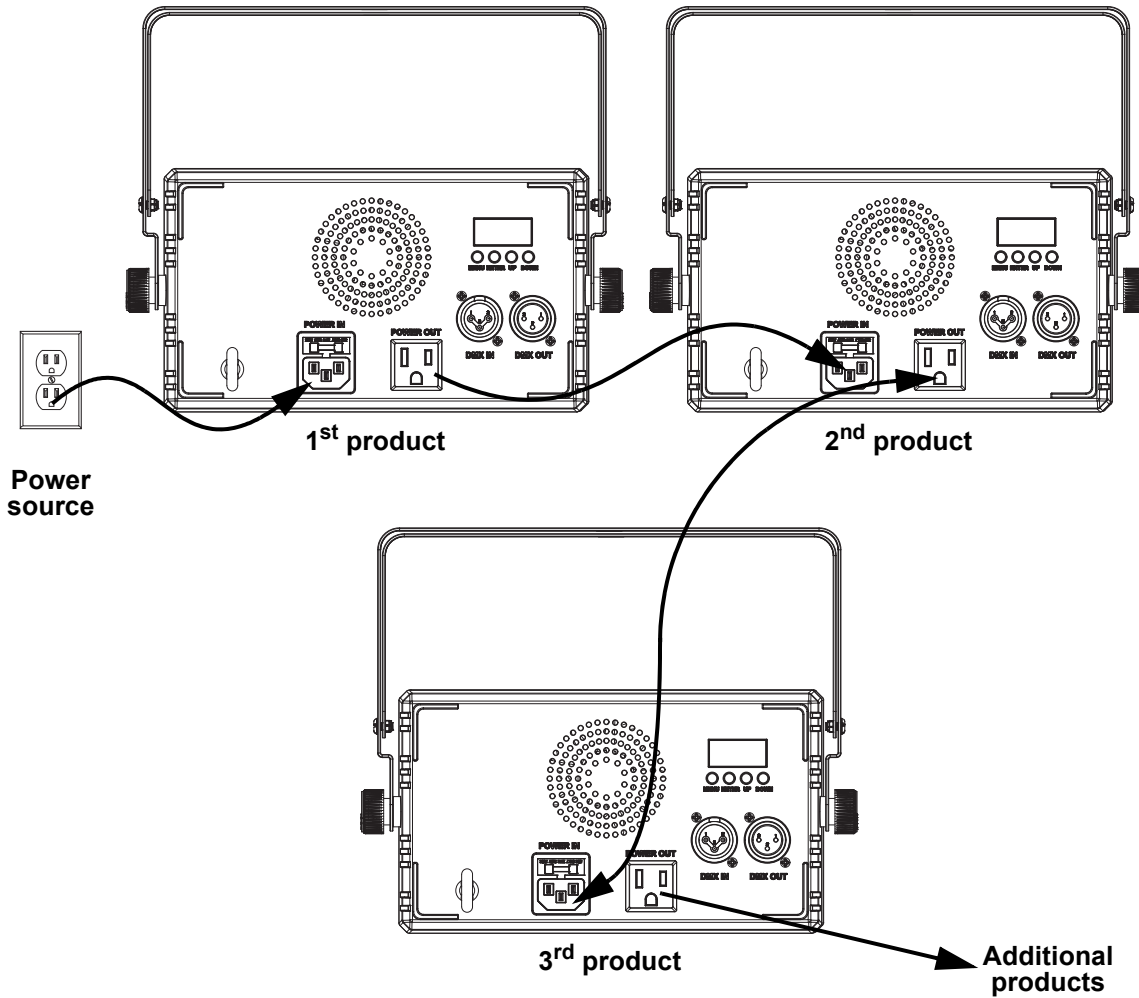


Always replace a blown fuse with one of the same type and rating.

Power Linking

This product provides power linking via the outlet located in the back of the product. See the diagram below for further explanation.

Power Linking Diagram



It is possible to link up to 12 Shocker FX products on 120 VAC or up to 20 products on 230 VAC.



The power linking diagram shown above corresponds to the North American version of the product **ONLY!** If using the product in other markets, consult with the local Chauvet distributor as power linking connectors and requirements may differ by country or region.

Mounting

Before mounting the product, read and follow the safety recommendations indicated in the [Safety Notes](#).

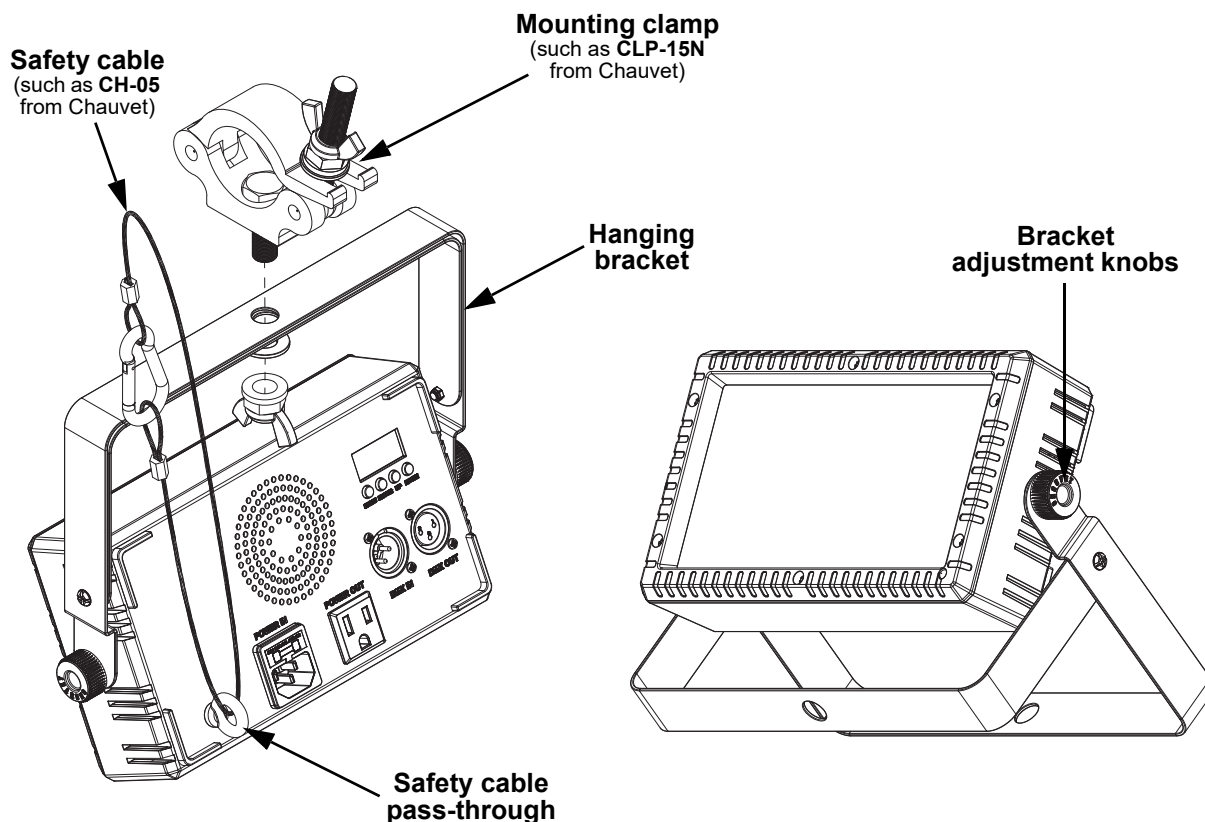
Orientation

The Shocker FX may be mounted in any position; however, make sure adequate ventilation is provided around the product.

Rigging

- Before deciding on a location for the product, always make sure there is easy access to the product for maintenance and programming.
- Make sure that the structure and attachment points can support the weight before hanging the product (see the [Technical Specifications](#) section for weight information).
- When mounting the product overhead, always use a safety cable. Mount the product securely to a rigging point, such as an elevated platform or a truss.
- When rigging the product onto a truss, use a mounting clamp of appropriate weight capacity. The bracket has a 13-mm hole, which is appropriate for this purpose.
- The bracket adjustment knobs allow for directional adjustment when aiming the product to the desired angle. Only loosen or tighten the bracket knobs manually. Using tools could damage the knobs.
- When power linking multiple products, mount the products close enough for power linking cables to reach.
- When mounting the product on the floor, make sure that the product and cables are away from people and vehicles.

Mounting Diagram



To prevent accidental loosening when using a single mounting clamp, be sure to use a clamp with a captive bolt.

4. Operation

Control Panel Operation

To access the control panel functions, use the four buttons located underneath the display. Please refer to the [Product Overview](#) to see the button locations on the control panel.

Button	Function
<MENU>	Exits from the current menu or function
<UP>	Navigates upwards through the menu list and increases the numeric value when in a function
<DOWN>	Navigates downwards through the menu list and decreases the numeric value when in a function
<ENTER>	Enables the currently displayed menu or sets the currently selected value into the selected function

Menu Map

Refer to the Shocker FX product page on www.chauvetdj.com for the latest menu map and software.

Mode	Programming Levels		Description
DMX Mode	8CH	A001–512	8-channel DMX mode
	18CH		18-channel DMX mode
	30CH		30-channel DMX mode
	43CH		43-channel DMX mode
Static Colors	C--	C 01–10	Static colors
Programs	P--	P 01–20	Automatic programs
Sound Mode	Snd	SU 01–20	Sound-active programs, blackout without sound
		SE 01–15	Sets sound sensitivity
Custom Color Mixing	U--	r000–255	Custom static colors Combine red, green, blue, and white
		G000–255	
		b000–255	
		U000–255	Strobe, slow to fast
		F000–255	
Dimmer	d--	d001–255	Dimmer
Dimmer Mode	dim	Off	Linear dimmer
		dim 1	Dimming curves: dim 1 (fast) to dim 3 (slow)
		dim 2	
		dim 3	
Infrared Mode	SEt	On	Turns infrared on or off
		Off	

DMX Configuration

The Shocker FX works with a DMX controller. Information about DMX is in the Chauvet DMX Primer, which is available from the Chauvet website chauvetlighting.com/downloads/DMX_Primer_rev05_WO.pdf.

Personality and Starting Address

The Shocker FX uses up to 43 DMX channels in the **43CH** DMX mode, which defines the highest configurable/recommended address to **470**.

When selecting a starting DMX address, always consider the number of DMX channels the DMX mode uses. If the starting address is set too high, access to some channels could be restricted.

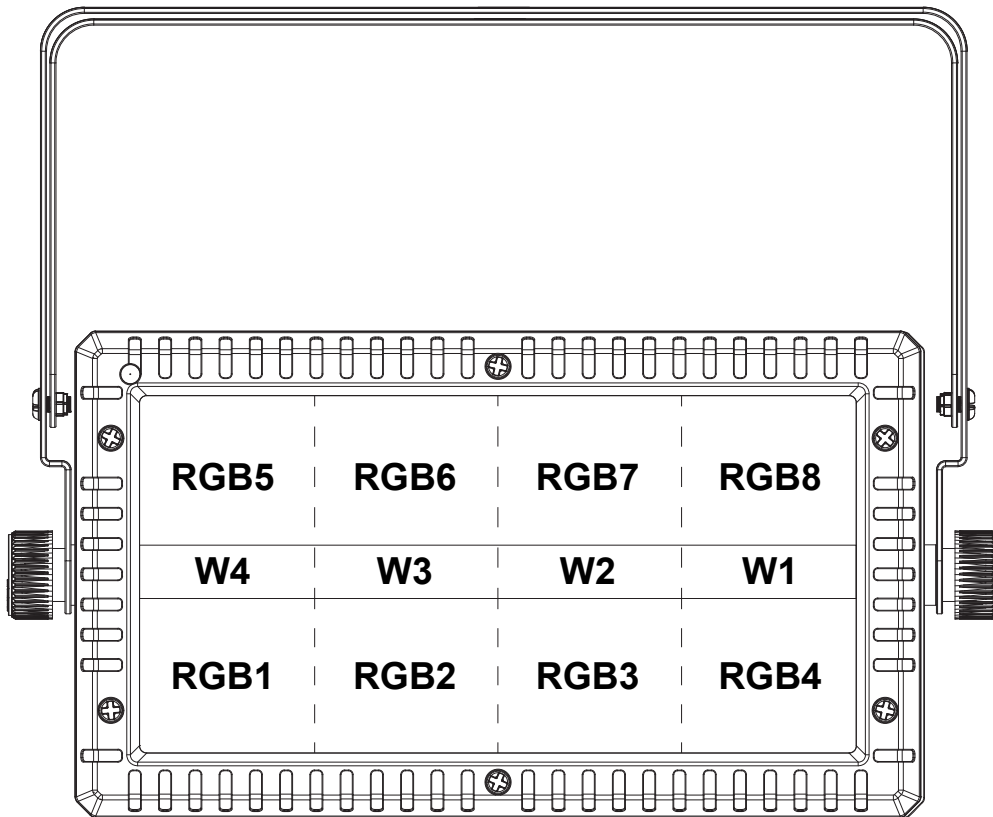
For information about the DMX protocol, download the DMX Primer from www.chauvetdj.com.

To select the personality and starting address, do the following:

1. Press **<MENU>** repeatedly until **8CH**, **18CH**, **30CH**, or **43CH** shows on the display.
2. Press **<ENTER>**.
3. Use **<UP>** or **<DOWN>** to select the starting address, from **a001–255**.
4. Press **<ENTER>**.

DMX Channel Assignments and Values

Zones of Control



DMX Charts

43CH

43CH	Function	Value	Percent/Setting
1	Master dimmer	000 ⇔ 255	0–100%
2	RGB dimmer	000 ⇔ 255	0–100%
3	RGB strobe	000 ⇔ 005	No function
		006 ⇔ 255	Strobe, slow to fast
4	RGB auto programs	000 ⇔ 005	No function
		006 ⇔ 018	Auto program 1
		019 ⇔ 031	Auto program 2
		032 ⇔ 044	Auto program 3
		045 ⇔ 057	Auto program 4
		058 ⇔ 070	Auto program 5
		071 ⇔ 083	Auto program 6
		084 ⇔ 096	Auto program 7
		097 ⇔ 109	Auto program 8
		110 ⇔ 122	Auto program 9
		123 ⇔ 135	Auto program 10
		136 ⇔ 148	Auto program 11
		149 ⇔ 161	Auto program 12
		162 ⇔ 174	Auto program 13

43CH	Function	Value	Percent/Setting
4	RGB auto programs cont.	175 ⇔ 187	Auto program 14
		188 ⇔ 200	Auto program 15
		201 ⇔ 213	Auto program 16
		214 ⇔ 226	Auto program 17
		227 ⇔ 239	Auto program 18
		240 ⇔ 252	Auto program 19
		253 ⇔ 255	Auto program 20
5	RGB program speed	000 ⇔ 255	RGB auto program speed, slow to fast
6	Color macro (when Ch4 is 005–255)	000 ⇔ 005	No function
		006 ⇔ 023	Red
		024 ⇔ 041	Green
		042 ⇔ 059	Blue
		060 ⇔ 079	Yellow
		080 ⇔ 096	Cyan
		097 ⇔ 114	Purple
		115 ⇔ 127	White
		128 ⇔ 130	Color 1
		131 ⇔ 134	Color 2
		135 ⇔ 138	Color 3
		139 ⇔ 142	Color 4
		143 ⇔ 146	Color 5
		147 ⇔ 150	Color 6
		151 ⇔ 154	Color 7
		155 ⇔ 158	Color 8
		159 ⇔ 162	Color 9
		163 ⇔ 166	Color 10
		167 ⇔ 170	Color 11
		171 ⇔ 174	Color 12
		175 ⇔ 178	Color 13
		179 ⇔ 182	Color 14
		183 ⇔ 186	Color 15
		187 ⇔ 190	Color 16
		191 ⇔ 194	Color 17
		195 ⇔ 198	Color 18
		199 ⇔ 202	Color 19
		203 ⇔ 206	Color 20
		207 ⇔ 210	Color 21
		211 ⇔ 214	Color 22
		215 ⇔ 218	Color 23
		219 ⇔ 222	Color 24
223 ⇔ 226	Color 25		
227 ⇔ 230	Color 26		
231 ⇔ 234	Color 27		
235 ⇔ 238	Color 28		
239 ⇔ 242	Color 29		
243 ⇔ 246	Color 30		
247 ⇔ 250	Color 31		
251 ⇔ 255	Color 32		

43CH	Function	Value	Percent/Setting
7	Background color	000 ⇔ 005	No function
		006 ⇔ 023	Red
		024 ⇔ 041	Green
		042 ⇔ 059	Blue
		060 ⇔ 079	Yellow
		080 ⇔ 096	Cyan
		097 ⇔ 114	Purple
		115 ⇔ 127	White
		128 ⇔ 130	Color 1
		131 ⇔ 134	Color 2
		135 ⇔ 138	Color 3
		139 ⇔ 142	Color 4
		143 ⇔ 146	Color 5
		147 ⇔ 150	Color 6
		151 ⇔ 154	Color 7
		155 ⇔ 158	Color 8
		159 ⇔ 162	Color 9
		163 ⇔ 166	Color 10
		167 ⇔ 170	Color 11
		171 ⇔ 174	Color 12
		175 ⇔ 178	Color 13
		179 ⇔ 182	Color 14
		183 ⇔ 186	Color 15
		187 ⇔ 190	Color 16
		191 ⇔ 194	Color 17
		195 ⇔ 198	Color 18
		199 ⇔ 202	Color 19
		203 ⇔ 206	Color 20
		207 ⇔ 210	Color 21
		211 ⇔ 214	Color 22
		215 ⇔ 218	Color 23
		219 ⇔ 222	Color 24
223 ⇔ 226	Color 25		
227 ⇔ 230	Color 26		
231 ⇔ 234	Color 27		
235 ⇔ 238	Color 28		
239 ⇔ 242	Color 29		
243 ⇔ 246	Color 30		
247 ⇔ 250	Color 31		
251 ⇔ 255	Color 32		
8	Background color dimmer	000 ⇔ 255	0–100%
9	White dimmer	000 ⇔ 255	0–100%
10	White strobe	000 ⇔ 005	No function
		006 ⇔ 255	Strobe, slow to fast

43CH	Function	Value	Percent/Setting
11	White auto programs	000 ⇔ 005	No function
		006 ⇔ 009	Auto program 1
		010 ⇔ 014	Auto program 2
		015 ⇔ 019	Auto program 3
		020 ⇔ 024	Auto program 4
		025 ⇔ 029	Auto program 5
		030 ⇔ 034	Auto program 6
		035 ⇔ 039	Auto program 7
		040 ⇔ 044	Auto program 8
		045 ⇔ 049	Auto program 9
		050 ⇔ 054	Auto program 10
		055 ⇔ 059	Auto program 11
		060 ⇔ 064	Auto program 12
		065 ⇔ 069	Auto program 13
		070 ⇔ 074	Auto program 14
		075 ⇔ 079	Auto program 15
		080 ⇔ 084	Auto program 16
		085 ⇔ 089	Auto program 17
		090 ⇔ 094	Auto program 18
		095 ⇔ 099	Auto program 19
		100 ⇔ 104	Auto program 20
		105 ⇔ 109	Auto program 21
		110 ⇔ 114	Auto program 22
		115 ⇔ 119	Auto program 23
		120 ⇔ 124	Auto program 24
		125 ⇔ 129	Auto program 25
		130 ⇔ 134	Auto program 26
		135 ⇔ 139	Auto program 27
		140 ⇔ 144	Auto program 28
		145 ⇔ 149	Auto program 29
		150 ⇔ 154	Auto program 30
		155 ⇔ 159	Auto program 31
		160 ⇔ 164	Auto program 32
		165 ⇔ 169	Auto program 33
		170 ⇔ 174	Auto program 34
		175 ⇔ 179	Auto program 35
		180 ⇔ 184	Auto program 36
		185 ⇔ 189	Auto program 37
		190 ⇔ 194	Auto program 38
		195 ⇔ 199	Auto program 39
		200 ⇔ 204	Auto program 40
		205 ⇔ 209	Auto program 41
		210 ⇔ 214	Auto program 42
		215 ⇔ 219	Auto program 43
		220 ⇔ 224	Auto program 44
225 ⇔ 255	Auto program 45		
12	White program speed	000 ⇔ 255	White auto program speed, slow to fast

43CH	Function	Value	Percent/Setting
13	RGBW auto programs	000 ⇔ 005	No function
		006 ⇔ 018	Auto program 1
		019 ⇔ 031	Auto program 2
		032 ⇔ 044	Auto program 3
		045 ⇔ 057	Auto program 4
		058 ⇔ 070	Auto program 5
		071 ⇔ 083	Auto program 6
		084 ⇔ 096	Auto program 7
		097 ⇔ 109	Auto program 8
		110 ⇔ 122	Auto program 9
		123 ⇔ 135	Auto program 10
		136 ⇔ 148	Auto program 11
		149 ⇔ 161	Auto program 12
		162 ⇔ 174	Auto program 13
		175 ⇔ 187	Auto program 14
		188 ⇔ 200	Auto program 15
		201 ⇔ 213	Auto program 16
		214 ⇔ 226	Auto program 17
		227 ⇔ 239	Auto program 18
		240 ⇔ 252	Auto program 19
253 ⇔ 255	Auto program 20		
14	RGBW program speed	000 ⇔ 255	RGBW auto program speed, slow to fast
15	Red 1	000 ⇔ 255	0–100%
16	Green 1	000 ⇔ 255	0–100%
17	Blue 1	000 ⇔ 255	0–100%
18	Red 2	000 ⇔ 255	0–100%
19	Green 2	000 ⇔ 255	0–100%
20	Blue 2	000 ⇔ 255	0–100%
21	Red 3	000 ⇔ 255	0–100%
22	Green 3	000 ⇔ 255	0–100%
23	Blue 3	000 ⇔ 255	0–100%
24	Red 4	000 ⇔ 255	0–100%
25	Green 4	000 ⇔ 255	0–100%
26	Blue 4	000 ⇔ 255	0–100%
27	Red 5	000 ⇔ 255	0–100%
28	Green 5	000 ⇔ 255	0–100%
29	Blue 5	000 ⇔ 255	0–100%
30	Red 6	000 ⇔ 255	0–100%
31	Green 6	000 ⇔ 255	0–100%
32	Blue 6	000 ⇔ 255	0–100%
33	Red 7	000 ⇔ 255	0–100%
34	Green 7	000 ⇔ 255	0–100%
35	Blue 7	000 ⇔ 255	0–100%
36	Red 8	000 ⇔ 255	0–100%
37	Green 8	000 ⇔ 255	0–100%
38	Blue 8	000 ⇔ 255	0–100%
39	White 1	000 ⇔ 255	0–100%

43CH	Function	Value	Percent/Setting
40	White 2	000 ⇔ 255	0–100%
41	White 3	000 ⇔ 255	0–100%
42	White 4	000 ⇔ 255	0–100%
43	Dimmer mode	000 ⇔ 025	Dimmer curve off
		026 ⇔ 050	Dimmer curve 1 (fast)
		051 ⇔ 075	Dimmer curve 2 (medium)
		076 ⇔ 100	Dimmer curve 3 (slow)
		101 ⇔ 125	Dimmer curve set manually on display
		126 ⇔ 150	Reset fixture
		151 ⇔ 255	No function

30CH

30CH	Function	Value	Percent/Setting
1	Dimmer	000 ⇔ 255	0–100%
2	Red 1	000 ⇔ 255	0–100%
3	Green 1	000 ⇔ 255	0–100%
4	Blue 1	000 ⇔ 255	0–100%
5	Red 2	000 ⇔ 255	0–100%
6	Green 2	000 ⇔ 255	0–100%
7	Blue 2	000 ⇔ 255	0–100%
8	Red 3	000 ⇔ 255	0–100%
9	Green 3	000 ⇔ 255	0–100%
10	Blue 3	000 ⇔ 255	0–100%
11	Red 4	000 ⇔ 255	0–100%
12	Green 4	000 ⇔ 255	0–100%
13	Blue 4	000 ⇔ 255	0–100%
14	Red 5	000 ⇔ 255	0–100%
15	Green 5	000 ⇔ 255	0–100%
16	Blue 5	000 ⇔ 255	0–100%
17	Red 6	000 ⇔ 255	0–100%
18	Green 6	000 ⇔ 255	0–100%
19	Blue 6	000 ⇔ 255	0–100%
20	Red 7	000 ⇔ 255	0–100%
21	Green 7	000 ⇔ 255	0–100%
22	Blue 7	000 ⇔ 255	0–100%
23	Red 8	000 ⇔ 255	0–100%
24	Green 8	000 ⇔ 255	0–100%
25	Blue 8	000 ⇔ 255	0–100%
26	White 1	000 ⇔ 255	0–100%
27	White 2	000 ⇔ 255	0–100%
28	White 3	000 ⇔ 255	0–100%
29	White 4	000 ⇔ 255	0–100%
30	Dimmer mode	000 ⇔ 025	Dimmer curve off
		026 ⇔ 050	Dimmer curve 1 (fast)
		051 ⇔ 075	Dimmer curve 2 (medium)
		076 ⇔ 100	Dimmer curve 3 (slow)
		101 ⇔ 125	Dimmer curve set manually on display
		126 ⇔ 150	Reset fixture
		151 ⇔ 255	No function

18CH

18CH	Function	Value	Percent/Setting
1	Master dimmer	000 ⇔ 255	0–100%
2	RGB dimmer	000 ⇔ 255	0–100%
3	Red	000 ⇔ 255	0–100%
4	Green	000 ⇔ 255	0–100%
5	Blue	000 ⇔ 255	0–100%
6	RGB strobe	000 ⇔ 005	No function
		006 ⇔ 255	Strobe, slow to fast
7	RGB auto programs	000 ⇔ 005	No function
		006 ⇔ 018	Auto program 1
		019 ⇔ 031	Auto program 2
		032 ⇔ 044	Auto program 3
		045 ⇔ 057	Auto program 4
		058 ⇔ 070	Auto program 5
		071 ⇔ 083	Auto program 6
		084 ⇔ 096	Auto program 7
		097 ⇔ 109	Auto program 8
		110 ⇔ 122	Auto program 9
		123 ⇔ 135	Auto program 10
		136 ⇔ 148	Auto program 11
		149 ⇔ 161	Auto program 12
		162 ⇔ 174	Auto program 13
		175 ⇔ 187	Auto program 14
		188 ⇔ 200	Auto program 15
		201 ⇔ 213	Auto program 16
		214 ⇔ 226	Auto program 17
		227 ⇔ 239	Auto program 18
		240 ⇔ 252	Auto program 19
253 ⇔ 255	Auto program 20		
8	RGB program speed	000 ⇔ 255	RGB auto program speed, slow to fast
9	Color macro (when Ch7 is 005–255)	000 ⇔ 005	No function
		006 ⇔ 023	Red
		024 ⇔ 041	Green
		042 ⇔ 059	Blue
		060 ⇔ 079	Yellow
		080 ⇔ 096	Cyan
		097 ⇔ 114	Purple
		115 ⇔ 127	White
		128 ⇔ 130	Color 1
		131 ⇔ 134	Color 2
		135 ⇔ 138	Color 3
		139 ⇔ 142	Color 4
		143 ⇔ 146	Color 5
		147 ⇔ 150	Color 6
		151 ⇔ 154	Color 7
		155 ⇔ 158	Color 8
159 ⇔ 162	Color 9		

18CH	Function	Value	Percent/Setting
9	Color macro cont. (when Ch7 is 005–255)	163 ⇔ 166	Color 10
		167 ⇔ 170	Color 11
		171 ⇔ 174	Color 12
		175 ⇔ 178	Color 13
		179 ⇔ 182	Color 14
		179 ⇔ 182	Color 14
		183 ⇔ 186	Color 15
		187 ⇔ 190	Color 16
		191 ⇔ 194	Color 17
		195 ⇔ 198	Color 18
		199 ⇔ 202	Color 19
		203 ⇔ 206	Color 20
		207 ⇔ 210	Color 21
		211 ⇔ 214	Color 22
		215 ⇔ 218	Color 23
		219 ⇔ 222	Color 24
		223 ⇔ 226	Color 25
		227 ⇔ 230	Color 26
		231 ⇔ 234	Color 27
		235 ⇔ 238	Color 28
239 ⇔ 242	Color 29		
243 ⇔ 246	Color 30		
247 ⇔ 250	Color 31		
251 ⇔ 255	Color 32		
10	Background color	000 ⇔ 005	No function
		006 ⇔ 023	Red
		024 ⇔ 041	Green
		042 ⇔ 059	Blue
		060 ⇔ 079	Yellow
		080 ⇔ 096	Cyan
		097 ⇔ 114	Purple
		115 ⇔ 127	White
		128 ⇔ 130	Color 1
		131 ⇔ 134	Color 2
		135 ⇔ 138	Color 3
		139 ⇔ 142	Color 4
		143 ⇔ 146	Color 5
		147 ⇔ 150	Color 6
		151 ⇔ 154	Color 7
		155 ⇔ 158	Color 8
		159 ⇔ 162	Color 9
		163 ⇔ 166	Color 10
		167 ⇔ 170	Color 11
		171 ⇔ 174	Color 12
175 ⇔ 178	Color 13		
179 ⇔ 182	Color 14		
183 ⇔ 186	Color 15		

18CH	Function	Value	Percent/Setting
10	Background color cont.	187 ⇔ 190	Color 16
		191 ⇔ 194	Color 17
		195 ⇔ 198	Color 18
		199 ⇔ 202	Color 19
		203 ⇔ 206	Color 20
		207 ⇔ 210	Color 21
		211 ⇔ 214	Color 22
		215 ⇔ 218	Color 23
		219 ⇔ 222	Color 24
		223 ⇔ 226	Color 25
		227 ⇔ 230	Color 26
		231 ⇔ 234	Color 27
		235 ⇔ 238	Color 28
		239 ⇔ 242	Color 29
		243 ⇔ 246	Color 30
		247 ⇔ 250	Color 31
251 ⇔ 255	Color 32		
11	Background color dimmer	000 ⇔ 255	0–100%
12	White dimmer	000 ⇔ 255	0–100%
13	White strobe	000 ⇔ 005	No function
		006 ⇔ 255	Strobe, slow to fast
14	White auto programs	000 ⇔ 005	No function
		006 ⇔ 009	Auto program 1
		010 ⇔ 014	Auto program 2
		015 ⇔ 019	Auto program 3
		020 ⇔ 024	Auto program 4
		025 ⇔ 029	Auto program 5
		030 ⇔ 034	Auto program 6
		035 ⇔ 039	Auto program 7
		040 ⇔ 044	Auto program 8
		045 ⇔ 049	Auto program 9
		050 ⇔ 054	Auto program 10
		055 ⇔ 059	Auto program 11
		060 ⇔ 064	Auto program 12
		065 ⇔ 069	Auto program 13
		070 ⇔ 074	Auto program 14
		075 ⇔ 079	Auto program 15
		080 ⇔ 084	Auto program 16
		085 ⇔ 089	Auto program 17
		090 ⇔ 094	Auto program 18
		095 ⇔ 099	Auto program 19
		100 ⇔ 104	Auto program 20
		105 ⇔ 109	Auto program 21
		110 ⇔ 114	Auto program 22
		115 ⇔ 119	Auto program 23
		120 ⇔ 124	Auto program 24
125 ⇔ 129	Auto program 25		

18CH	Function	Value	Percent/Setting
14	White auto programs cont.	130 ⇔ 134	Auto program 26
		135 ⇔ 139	Auto program 27
		140 ⇔ 144	Auto program 28
		145 ⇔ 149	Auto program 29
		150 ⇔ 154	Auto program 30
		155 ⇔ 159	Auto program 31
		160 ⇔ 164	Auto program 32
		165 ⇔ 169	Auto program 33
		170 ⇔ 174	Auto program 34
		175 ⇔ 179	Auto program 35
		180 ⇔ 184	Auto program 36
		185 ⇔ 189	Auto program 37
		190 ⇔ 194	Auto program 38
		195 ⇔ 199	Auto program 39
		200 ⇔ 204	Auto program 40
		205 ⇔ 209	Auto program 41
210 ⇔ 214	Auto program 42		
215 ⇔ 219	Auto program 43		
220 ⇔ 224	Auto program 44		
225 ⇔ 255	Auto program 45		
15	White program speed	000 ⇔ 255	White auto program speed, slow to fast
16	RGBW auto programs	000 ⇔ 005	No function
		006 ⇔ 018	Auto program 1
		019 ⇔ 031	Auto program 2
		032 ⇔ 044	Auto program 3
		045 ⇔ 057	Auto program 4
		058 ⇔ 070	Auto program 5
		071 ⇔ 083	Auto program 6
		084 ⇔ 096	Auto program 7
		097 ⇔ 109	Auto program 8
		110 ⇔ 122	Auto program 9
		123 ⇔ 135	Auto program 10
		136 ⇔ 148	Auto program 11
		149 ⇔ 161	Auto program 12
		162 ⇔ 174	Auto program 13
		175 ⇔ 187	Auto program 14
		188 ⇔ 200	Auto program 15
		201 ⇔ 213	Auto program 16
		214 ⇔ 226	Auto program 17
		227 ⇔ 239	Auto program 18
		240 ⇔ 252	Auto program 19
253 ⇔ 255	Auto program 20		
17	RGBW program speed	000 ⇔ 255	RGBW auto program speed, slow to fast
18	Dimmer mode	000 ⇔ 025	Dimmer curve off
		026 ⇔ 050	Dimmer curve 1 (fast)
		051 ⇔ 075	Dimmer curve 2 (medium)
		076 ⇔ 100	Dimmer curve 3 (slow)

18CH	Function	Value	Percent/Setting
18	Dimmer mode cont.	101 ⇔ 125	Dimmer curve set manually on display
		126 ⇔ 150	Reset fixture

8CH

8CH	Function	Value	Percent/Setting
1	Dimmer	000 ⇔ 255	0–100%
2	Strobe	000 ⇔ 255	0–100%
3	Red	000 ⇔ 255	0–100%
4	Green	000 ⇔ 255	0–100%
5	Blue	000 ⇔ 255	0–100%
6	White	000 ⇔ 255	0–100%
7	Auto programs	000 ⇔ 005	No function
		006 ⇔ 018	Auto program 1
		019 ⇔ 031	Auto program 2
		032 ⇔ 044	Auto program 3
		045 ⇔ 057	Auto program 4
		058 ⇔ 070	Auto program 5
		071 ⇔ 083	Auto program 6
		084 ⇔ 096	Auto program 7
		097 ⇔ 109	Auto program 8
		110 ⇔ 122	Auto program 9
		123 ⇔ 135	Auto program 10
		136 ⇔ 148	Auto program 11
		149 ⇔ 161	Auto program 12
		162 ⇔ 174	Auto program 13
		175 ⇔ 187	Auto program 14
		188 ⇔ 200	Auto program 15
		201 ⇔ 213	Auto program 16
		214 ⇔ 226	Auto program 17
		227 ⇔ 239	Auto program 18
		240 ⇔ 252	Auto program 19
253 ⇔ 255	Auto program 20		
8	Auto program speed	000 ⇔ 255	Auto program speed, slow to fast

Standalone Configuration

Set the product in one of the standalone modes to operate without a DMX controller.



Never connect a product that is operating in any standalone mode to a DMX string connected to a DMX controller. Products in standalone mode may transmit DMX signals that could interfere with the DMX signals from the controller.

Static Colors

To run the Shocker FX with a preset static color:

1. Press **<MENU>** repeatedly until **C--** shows on the display.
2. Press **<ENTER>**.
3. Use **<UP>** or **<DOWN>** to select the desired static color from **C01–10**.
4. Press **<ENTER>**.

Auto Programs

To run the Shocker FX with an automatic program:

1. Press **<MENU>** repeatedly until **P--** shows on the display.
2. Press **<ENTER>**.
3. Use **<UP>** or **<DOWN>** to select the desired automatic program, from **P01–20**.
4. Press **<ENTER>**.

Sound-Active Mode

To run the Shocker FX with a sound-active program:

1. Press **<MENU>** repeatedly until **Snd** shows on the display.
2. Press **<ENTER>**.
3. Use **<UP>** or **<DOWN>** to select the desired automatic program, from **SU01–20**.
4. Press **<ENTER>**.
5. Use **<UP>** or **<DOWN>** to select the sound sensitivity level from **SE01–15**, or least sensitive to most sensitive.
6. Press **<ENTER>**.



The product will only respond to low frequencies of music (bass and drums).

Custom Color Mixing

To run the Shocker FX with a custom static color:

1. Press **<MENU>** repeatedly until **U--** shows on the display.
2. Press **<ENTER>**.
3. Press **<MENU>** to cycle through the options, **r_ _ _** (red), **G_ _ _** (green), **b_ _ _** (blue), **U_ _ _** (white), or **F_ _ _** (strobe speed).
4. Press **<ENTER>**.
5. Repeat steps 3-4 until the product output is set as desired.

Dimmer

To manually adjust the brightness of the Shocker FX:

1. Press **<MENU>** repeatedly until **d--** shows on the display.
2. Press **<ENTER>**.
3. Use **<UP>** or **<DOWN>** to increase or decrease the brightness from **d001–255**, or dimmest to brightest.
4. Press **<ENTER>**.

Dimmer Mode

To adjust the dimmer speed on the Shocker FX:

1. Press **<MENU>** repeatedly until **dim** shows on the display.
2. Press **<ENTER>**.
3. Use **<UP>** or **<DOWN>** to select from **Off**, **dim1** (fastest), **dim2**, or **dim3** (slowest).
4. Press **<ENTER>**.

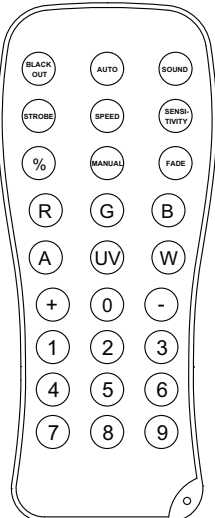
IRC-6 Infrared Remote Control

The Shocker FX is compatible with the IRC-6 infrared remote control from Chauvet.

To enable or disable IRC-6 functionality, do the following:

1. Press **<MENU>** repeatedly until **SEt** shows on the display.
2. Press **<ENTER>**.
3. Press **<ENTER>** to select from **on** (enable), or **oFF** (disable).
4. Press **<ENTER>**.

Consult the table below to operate the Shocker FX with the IRC-6.

IRC-6	Button	Function
	<AUTO>	Press to activate automatic mode, then use <+> or <-> to select a program
	<SOUND>	Press to activate sound-active mode, then use <+> or <-> to select a program
	<SENSITIVITY>	Press then use <+> or <-> to increase or decrease sensitivity
	<STROBE>	Press to toggle strobe, then use <+> or <-> to increase or decrease strobe speed
	<%>	Press then use <+> or <-> to increase or decrease the dimmer
	<MANUAL>	Press to enable manual color control
	<R>	Press then use <+> or <-> to increase or decrease the red value
	<G>	Press then use <+> or <-> to increase or decrease the green value
		Press then use <+> or <-> to increase or decrease the blue value
	<W>	Press then use <+> or <-> to increase or decrease the white value
	<+>	Press to increase speed, sensitivity, or the dimmer/color value, or to scroll up the list of programs
	<->	Press to decrease speed, sensitivity, or the dimmer/color value, or to scroll down the list of programs
	<0>-<9>	Press to select a preset static color
	<BLACK OUT>	Press to turn off all the lights until the button is pressed again. NOTE: The IRC-6 will not respond to any inputs when Black Out is activated. If the product does not respond when a button is pressed, try pressing <BLACK OUT> . Black Out may have been activated.



- Any setting on the IRC-6 will be saved until the system is rebooted. The system will revert to Auto Mode after reboot.
- The buttons on the IRC-6 not listed above are reserved for future use.

5. Maintenance

Product Maintenance

Dust build-up reduces light output performance and can cause overheating. This can lead to reduction of the light source's life and/or mechanical wear. To maintain optimum performance and minimize wear, clean all lighting products at least twice a month. However, be aware that usage and environmental conditions could be contributing factors to increase the cleaning frequency.

To clean the product, follow the instructions below:

1. Unplug the product from power.
2. Wait until the product is at room temperature.
3. Use a vacuum (or dry compressed air) and a soft brush to remove dust collected on the external surface/vents.
4. Clean all transparent surfaces with a mild soap solution, ammonia-free glass cleaner, or isopropyl alcohol.
5. Apply the solution directly to a soft, lint free cotton cloth or a lens cleaning tissue.
6. Softly drag any dirt or grime to the outside of the transparent surface.
7. Gently polish the transparent surfaces until they are free of haze and lint.



Always dry the transparent surfaces carefully after cleaning them.

6. Technical Specifications

Dimensions and Weight

Length	Width	Height	Weight
10.2 in (260 mm)	3.25 in (82.6 mm)	5.1 in (129 mm)	2 lb (1 kg)

Note: Dimensions in inches are rounded.

Power

Power Supply Type	Range	Voltage Selection
Switching (internal)	100 to 240 VAC, 50/60 Hz	Auto-ranging

Parameter	120 V, 60 Hz	230 V, 50 Hz
Consumption	45 W	45 W
Operating Current	0.6 A	0.4 A
Power linking current (products)	12 A (12 products)	12 A (20 products)
Fuse	F1.5 A, 250V	F1.5 A, 250V

Power I/O	U.S./Worldwide	UK/Europe
Power input connector	IEC	IEC
Power output connector	Edison	IEC
Power cable plug	Edison (U.S.)	Local Plug

Light Source

Type	Color	Quantity	Power	Current	Lifespan
LED	tri-color	280	50 W	1.5 A	50,000 hours
	cool white	56	11 W	0.8 A	

Photometrics

Strobe Rate	Beam Angle	Field Angle	Illuminance @ 2m	Lumens
0 to 20 Hz	97°	139°	219 lux	1,981

Thermal

Maximum External Temperature	Cooling System
104 °F (40 °C)	Fan-assisted Convection

DMX

I/O Connector	Channel Range
3-pin XLR	8, 18, 30, or 43

Ordering

Product Name	Item Code	UPC Number
Shocker FX	07052753	781462231019



Contact Us

General Information	Technical Support
Chauvet World Headquarters	
Address: 3360 Davie Rd., Suite 509 Davie, FL 33314 Voice: (954) 577-4455 Fax: (954) 929-5560 Toll Free: (800) 762-1084	Voice: (844) 393-7575 Fax: (954) 756-8015 Email: chauvetcs@chauvetlighting.com Website: www.chauvetdj.com
Chauvet U.K.	
Address: Pod 1 EVO Park Little Oak Drive, Sherwood Park Nottinghamshire, NG15 0EB UK Voice: +44 (0) 1773 511115 Fax: +44 (0) 1773 511110	Email: UKtech@chauvetlighting.eu Website: www.chauvetdj.eu
Chauvet Benelux	
Address: Vaartlaan 9 9800 Deinze Belgium Voice: +32 9 388 93 97	Email: BNLtech@chauvetlighting.eu Website: www.chauvetdj.eu
Chauvet France	
Address: 3, Rue Ampère 91380 Chilly-Mazarin France Voice: +33 1 78 85 33 59	Email: FRtech@chauvetlighting.fr Website: www.chauvetdj.eu
Chauvet Germany	
Address: Bruno-Bürgel-Str. 11 28759 Bremen Germany Voice: +49 421 62 60 20	Email: DEtech@chauvetlighting.de Website: www.chauvetdj.eu
Chauvet Mexico	
Address: Av. de las Partidas 34 - 3B (Entrance by Calle 2) Zona Industrial Lerma Lerma, Edo. de México, CP 52000 Voice: +52 (728) 690-2010	Email: servicio@chauvet.com.mx Website: www.chauvetdj.mx

Warranty & Returns

For warranty terms and conditions and return information, please visit our website.

For customers in the United States and Mexico: www.chauvetlighting.com/warranty-registration.

For customers in the United Kingdom, Republic of Ireland, Belgium, the Netherlands, Luxembourg, France, and Germany: www.chauvetlighting.eu/warranty-registration.