

**FREEDOM PAR<sup>®</sup>**  
Q12

**FREEDOM PAR<sup>®</sup>**  
Q12 x4

User Manual



**CHAUVET**  **3**

## Edition Notes

The Freedom Par Q12 / Freedom Par Q12 X4 User Manual includes a description, safety precautions, installation, programming, operation, and maintenance instructions for the Freedom Par Q12 / Freedom Par Q12 X4 as of the release date of this edition.

## Trademarks

Chauvet, Chauvet DJ, the Chauvet logo, and Freedom Par are registered trademarks or trademarks of Chauvet & Sons, LLC (d/b/a Chauvet and Chauvet Lighting) in the United States and other countries. Other company and product names and logos referred to herein may be trademarks of their respective companies.

## Copyright Notice

The works of authorship contained in this manual, including, but not limited to, all designs, text, and images are owned by Chauvet.

© Copyright 2026 Chauvet & Sons, LLC. All rights reserved.

Electronically published by Chauvet in the United States of America.

## Manual Use

Chauvet authorizes its customers to download and print this manual for professional information purposes only. Chauvet expressly prohibits the usage, copy, storage, distribution, modification, or printing of this manual or its content for any other purpose without written consent from Chauvet.

## Document Printing

For best results, print this document in color, on letter size paper (8.5 x 11 in), double-sided. If using A4 paper (210 x 297 mm), configure the printer to scale the content accordingly.

## Intended Audience

Any person installing, operating, and/or maintaining this product should completely read through the guide that shipped with the product, as well as this manual, before installing, operating, or maintaining this product.

## Disclaimer

Chauvet believes that the information contained in this manual is accurate in all respects. However, Chauvet assumes no responsibility and specifically disclaims any and all liability to any party for any loss, damage, or disruption caused by any errors or omissions in this document, whether such errors or omissions result from negligence, accident, or any other cause. Chauvet reserves the right to revise the content of this document without any obligation to notify any person or company of such revision; however, Chauvet has no obligation to make, and does not commit to make, any such revisions.

## Document Revision

Go to [www.chauvetdj.com](http://www.chauvetdj.com) for the latest version.

Revision	Date	Description
1	01/2026	Initial release.

## TABLE OF CONTENTS

<b>1. Before You Begin .....</b>	<b>1</b>
What Is Included .....	1
Freedom Par Q12 .....	1
Freedom Par Q12 X4 .....	1
Unpacking Instructions.....	1
Claims .....	1
Text Conventions .....	1
Symbols .....	1
Safety Notes.....	2
Battery Charge Notes.....	3
FCC Statement of Compliance .....	3
RF Exposure Warning for North America and Australia.....	3
<b>2. Introduction.....</b>	<b>4</b>
Product Overview.....	4
<b>3. Setup.....</b>	<b>7</b>
AC Power.....	7
Battery Power.....	7
Charging the Battery.....	7
Battery Life Indicator.....	7
Battery Run Time.....	7
Mounting .....	8
Orientation.....	8
Rigging .....	8
<b>4. Operation.....</b>	<b>9</b>
Control Panel Operation.....	9
Menu Map .....	9
DMX Configuration.....	12
Starting Address.....	12
DMX Personalities.....	12
D-Fi Connectivity.....	12
D-Fi Compatibility.....	12
DMX Channel Assignments and Values .....	13
DMX Charts.....	13
Standalone Configuration.....	15
Fixed Color Mode.....	15
Custom Color Mixing.....	15
Preset Color Mode .....	15
Automatic Programs.....	15
Sound-Active Mode.....	16
D-Fi Setting .....	16
Dimmer Mode.....	16
Display Back Light.....	16
Password .....	16
Product Information.....	17
Factory Reset.....	17
Master/Slave Mode .....	17
RFC Remote Control.....	18
RFC Remote Binding .....	18
RFC Control Options.....	18
RFC Remote Control Operation.....	19
RFC-XL Remote Control Operation .....	20
<b>5. Maintenance.....</b>	<b>21</b>
Product Maintenance .....	21

<b>6. Technical Specifications</b> .....	22
<b>Contact Us</b> .....	23
Warranty & Returns.....	23

## Before You Begin

# 1. Before You Begin

## What Is Included

### Freedom Par Q12

- Freedom Par Q12
- External power supply
- Magnetic diffuser
- Quick Reference Guide

### Freedom Par Q12 X4

- 4 Freedom Par Q12
- 4 magnetic diffusers
- Carry bag
- RFC remote
- Multi-charger
- Quick Reference Guide

## Unpacking Instructions

Carefully unpack the product immediately and check the container to make sure all the parts are in the package and are in good condition.

## Claims





If the box or the contents (the product and included accessories) appear damaged from shipping, or show signs of mishandling, notify the carrier immediately, not Chauvet. Failure to report damage to the carrier immediately may invalidate a claim. In addition, keep the box and contents for inspection.

For other issues, such as missing components or parts, damage not related to shipping, or concealed damage, file a claim with Chauvet within 7 days of delivery.

## Text Conventions

Convention	Meaning
<b>1–512</b>	A range of values
<b>50/60</b>	A set of values of which only one can be chosen
<b>Settings</b>	A menu option not to be modified
<b>&lt;ENTER&gt;</b>	A key to be pressed on the product's control panel
<b>ON</b>	A value to be entered or selected

## Symbols

Symbol	Meaning
	Electrical warning. Not following these instructions may cause electrical damage to the product, accessories, or the user.
	Critical installation, configuration, or operation information. Not following these instructions may make the product not work, cause damage to the product, or cause harm to the operator.
	Important installation or configuration information. The product may not function correctly if this information is not used.
	Useful information.

## Safety Notes

These Safety Notes include important information about installation, use, and maintenance of the Freedom Par Q12 .

- **ALWAYS:**
  - ◆ Connect to a grounded circuit.
  - ◆ Connect to operating voltages as specified on the product's spec sticker.
  - ◆ Disconnect from its power source during periods of inactivity.
  - ◆ Use a safety cable when suspending overhead.
  - ◆ Heed all restrictions and warnings on the spec sticker.
  - ◆ Mount in a location with at least 20 in (50 cm) of ventilation.
  - ◆ Use a clamp with a captive bolt when a single hanging bracket is used.
- In the event of a serious operating problem, stop using immediately.
- **DO NOT:**
  - ◆ Open this product or attempt any repairs. It contains no user-serviceable parts.
  - ◆ Look at the light source when the product is on.
  - ◆ Use if the power cord is crimped or damaged.
  - ◆ Disconnect by pulling on the power cord.
  - ◆ Allow flammable materials close to the product when it is operating.
  - ◆ Touch the housing when it is on.
  - ◆ Block any ventilation holes/slots in the housing.
  - ◆ Connect to a dimmer or rheostat.
  - ◆ Carry the product by its power cord.
  - ◆ Operate in temperatures higher than 113°F (45°C).
  - ◆ Expose to environments that exceed the Ingress Protection (IP) rating.
  - ◆ Expose to rain or moisture.
  - ◆ Use outdoors.
  - ◆ Submerge.
  - ◆ Leave outdoors for extended periods of time.
  - ◆ Expose to corrosive environmental conditions such as temperature, humidity, salinity, pressure, radiation, or shock.
  - ◆ Set this product on a flammable surface.



**Keep this User Manual for future use. If the product is sold to someone else, be sure that they also receive this document.**

### Battery Charge Notes

Rechargeable lithium-ion batteries are potentially hazardous and can present a serious FIRE HAZARD, SERIOUS INJURY and/or PROPERTY DAMAGE if damaged, defective, or improperly used.



- **ALWAYS:**
  - ◆ Charge using a manufacturer-provided charger while the product is powered off.
  - ◆ Charge the battery in temperatures between 32°-95°F (0°-35°C).
  - ◆ Allow a depleted battery to charge for a few minutes before turning on the product. If the battery is completely discharged, the device cannot be turned on immediately when the charger is connected.
  - ◆ Keep at least 3 ft (1 m) distance to any heat source and away from flammable materials.
  - ◆ Keep the lid of any charging case open while charging.
  - ◆ Keep batteries away from children.
  - ◆ Store batteries between 40-60% charge.
  - ◆ Follow local regulations when disposing of batteries.
  - ◆ Replace with an authentic Chauvet battery.
- **DO NOT:**
  - ◆ Continue charging if the battery becomes hot, smokes, swells, or gives off an odor during charging.
  - ◆ Leave the product unattended while charging.
  - ◆ Deplete the battery below 10%.
  - ◆ Charge the battery in a closed container.
  - ◆ Charge for more than 24 hours.

### FCC Statement of Compliance

This device complies with Part 15 Part B of the FCC rules. Operation is subject to the following two conditions:

1. This device may not cause harmful interference, and
2. This device must accept any interference received, including interference that may cause undesired operation.

This equipment has been tested and found to comply with the limits for a Class B digital device, pursuant to Part 15 of the FCC Rules. These limits are designed to provide reasonable protection against harmful interference in a residential installation. This equipment generates uses and can radiate radio frequency energy and, if not installed and used in accordance with the instructions, may cause harmful interference to radio communications. However, there is no guarantee that interference will not occur in a particular installation. If this equipment does cause harmful interference to radio or television reception, which can be determined by turning the equipment off and on, the user is encouraged to try to correct the interference by one or more of the following measures:

- Reorient or relocate the receiving antenna.
- Increase the separation between the equipment and receiver.
- Connect the equipment into an outlet on a circuit different from that to which the receiver is connected.
- Consult the dealer or an experienced radio/TV technician for help.

Any changes or modifications not expressly approved by the party responsible for compliance could void the user's authority to operate the equipment.

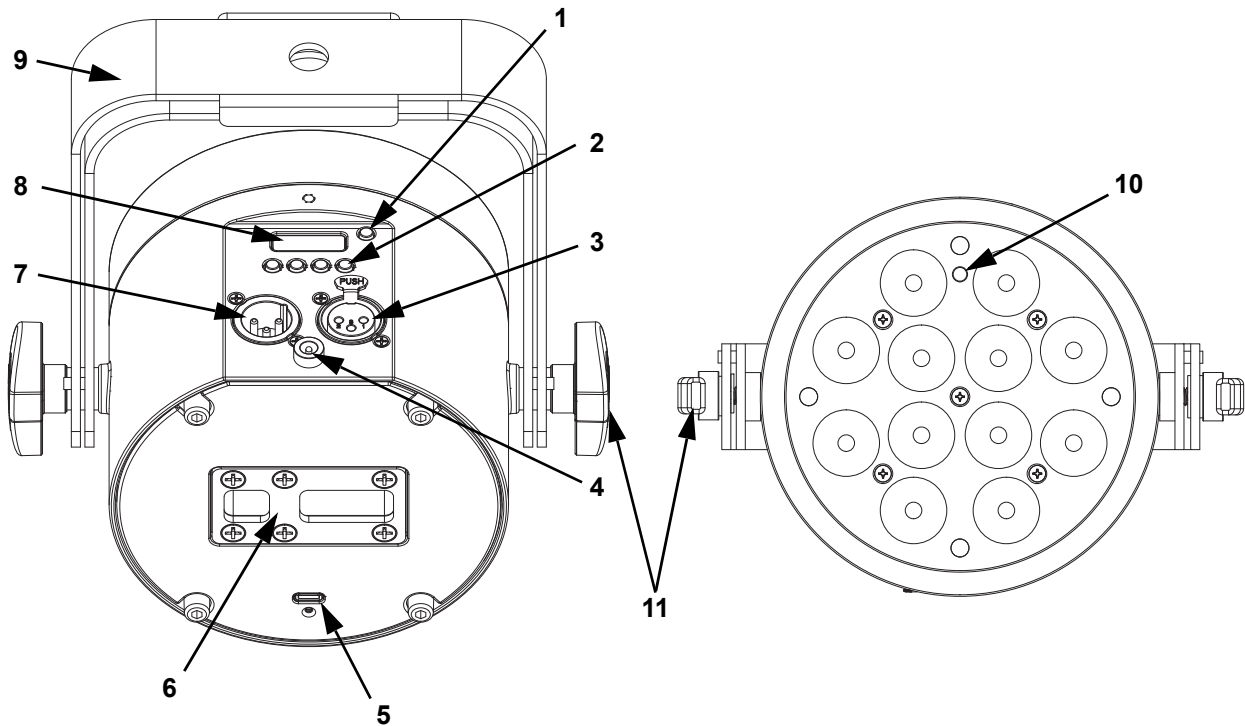
### RF Exposure Warning for North America and Australia

**Warning!** This equipment complies with FCC radiation exposure limits set forth for an uncontrolled environment. This equipment should be installed and operated with a minimum distance of 20 cm between the radiator and the user. This transmitter must not be co-located or operating in conjunction with any other antenna or transmitter.

## 2. Introduction

### Product Overview

Freedom Par Q12

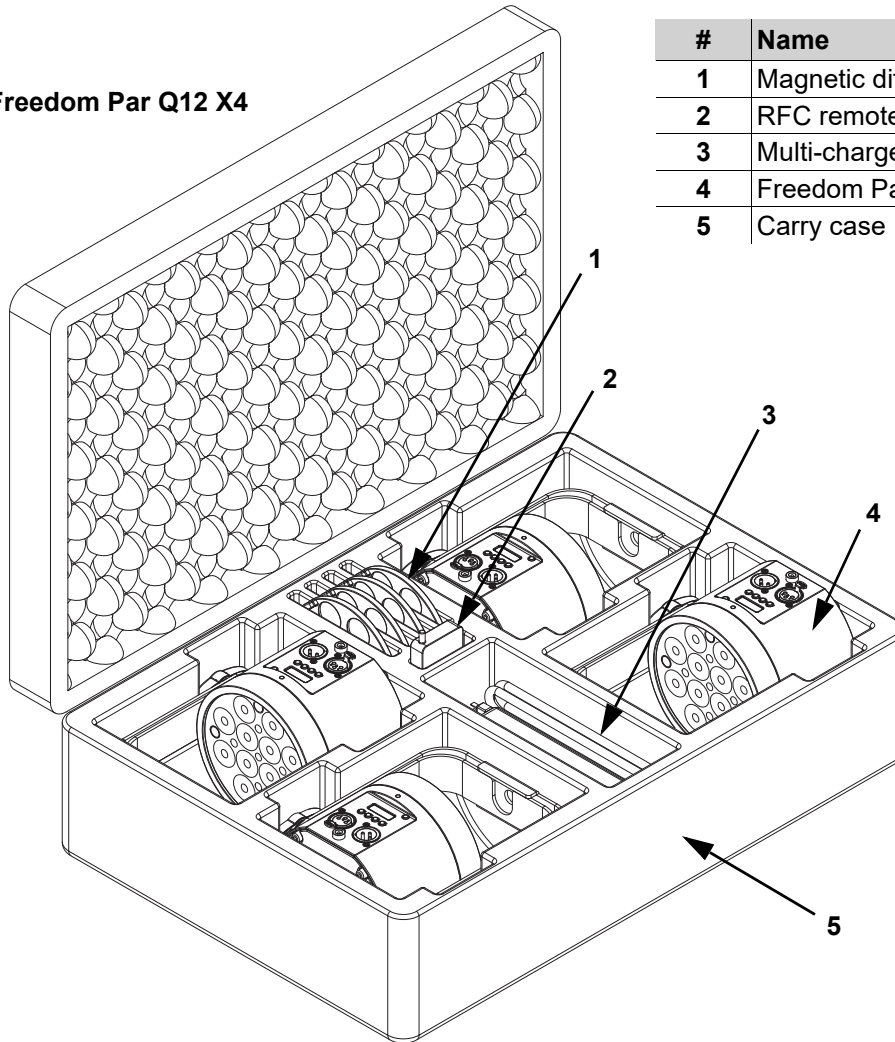


#	Name	#	Name
1	Power button	7	DMX in
2	Menu buttons	8	Display
3	DMX out	9	Hanging bracket
4	Charging port	10	Charging indicator
5	USB port	11	Bracket adjustment knobs
6	Safety cable pass-through		



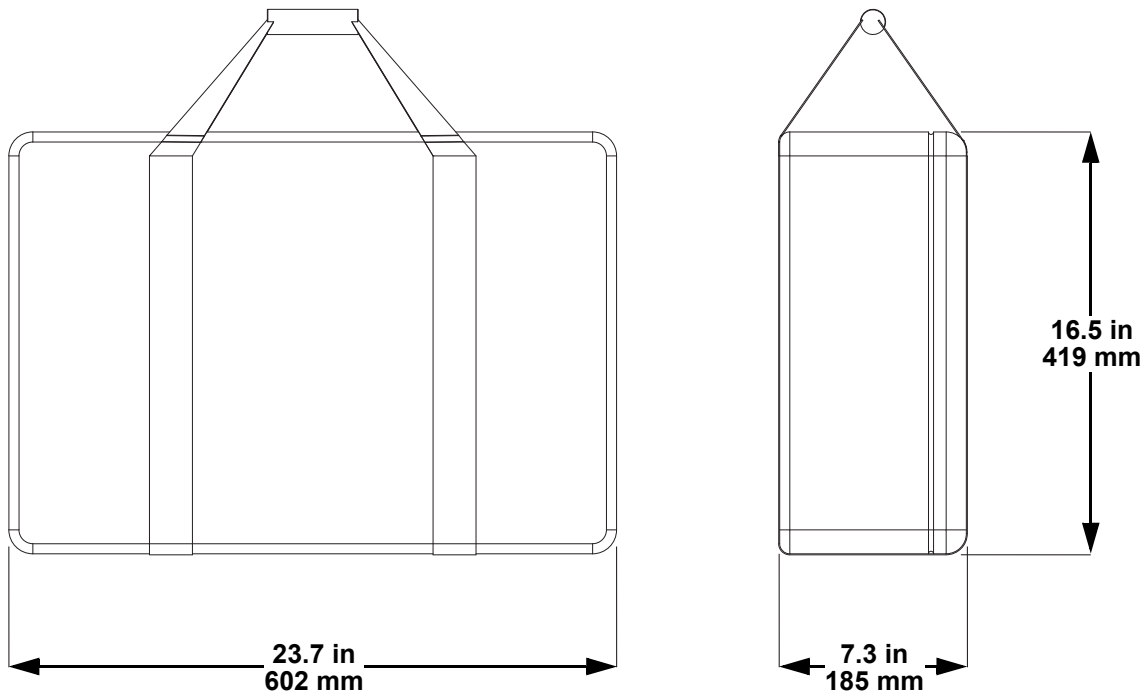
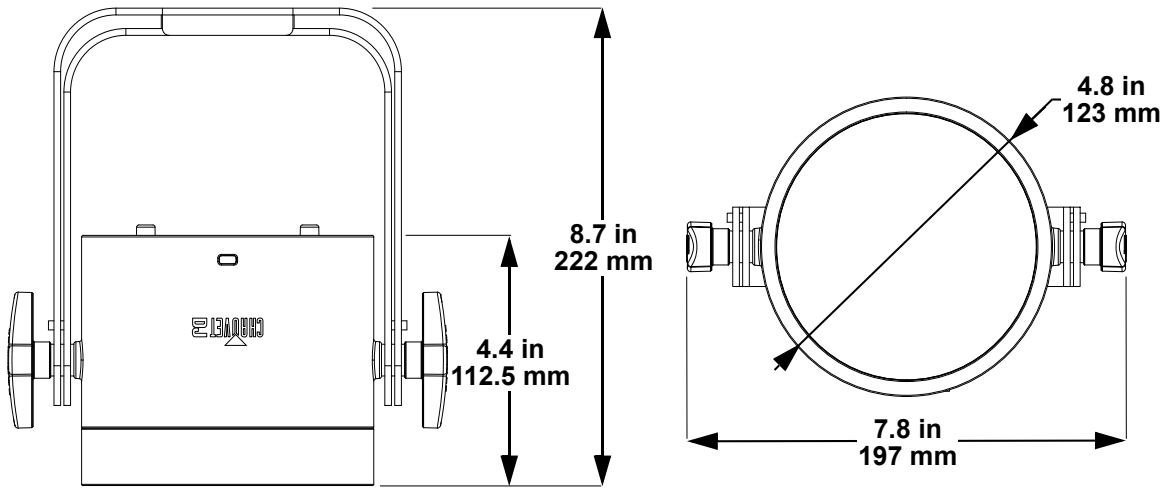
**WARNING! DO NOT use the USB type C port for anything other than firmware updates. Doing so may cause damage to the product.**

**Freedom Par Q12 X4**



#	Name
1	Magnetic diffuser (x4)
2	RFC remote
3	Multi-charger
4	Freedom Par Q12 (x4)
5	Carry case

**Product Dimensions**



### 3. Setup

#### AC Power

The Freedom Par Q12 has an external power supply, and can work with an input voltage of 24 VDC, 50/60Hz.

To determine the product's power requirements (circuit breaker, power outlet, and wiring), use the current value listed on the label affixed to the product's back panel, or refer to the product's specifications chart. The listed current rating indicates the product's average current draw under normal conditions.



- **Always connect the product to a protected circuit (a circuit breaker or fuse). Make sure the product has an appropriate electrical ground to avoid the risk of electrocution or fire.**
- **To eliminate unnecessary wear and improve its lifespan, during periods of non-use completely disconnect the product from power via breaker or by unplugging it.**



**Never connect the product to a rheostat (variable resistor) or dimmer circuit, even if the rheostat or dimmer channel serves only as a 0 to 100% switch.**

#### Battery Power

The Freedom Par Q12 comes with a rechargeable lithium battery for cable-free operation.

#### Charging the Battery

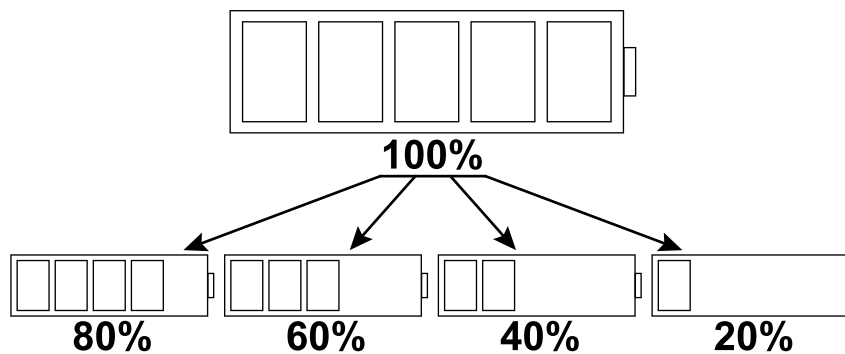
The battery charges whenever the Freedom Par Q12 is plugged into a power source using the included power cable. If the product is plugged in and not in operation, make sure the product is turned off.



- **Before charging the product, read and follow the [Battery Charge Notes](#).**
- **The LED indicator light will flash if units are overcharged.**
- **DO NOT use the Freedom Par Q12 / Freedom Par Q12 X4 on full power mode (all LEDs at 100%) while being charged/plugged into a power source, as the unit will get extremely hot.**

#### Battery Life Indicator

The indicators on the LCD menu display show how much battery life remains available. The drawing below provides a key to reading the battery life indicators.



#### Battery Run Time

Maximum Run Time (all colors on)	Maximum Run Time (single color on)	Recharge Time
Up to 7 hours	Up to 9.5 hours	4 hours

## Mounting

Before mounting the product, read and follow the safety recommendations indicated in the [Safety Notes](#).

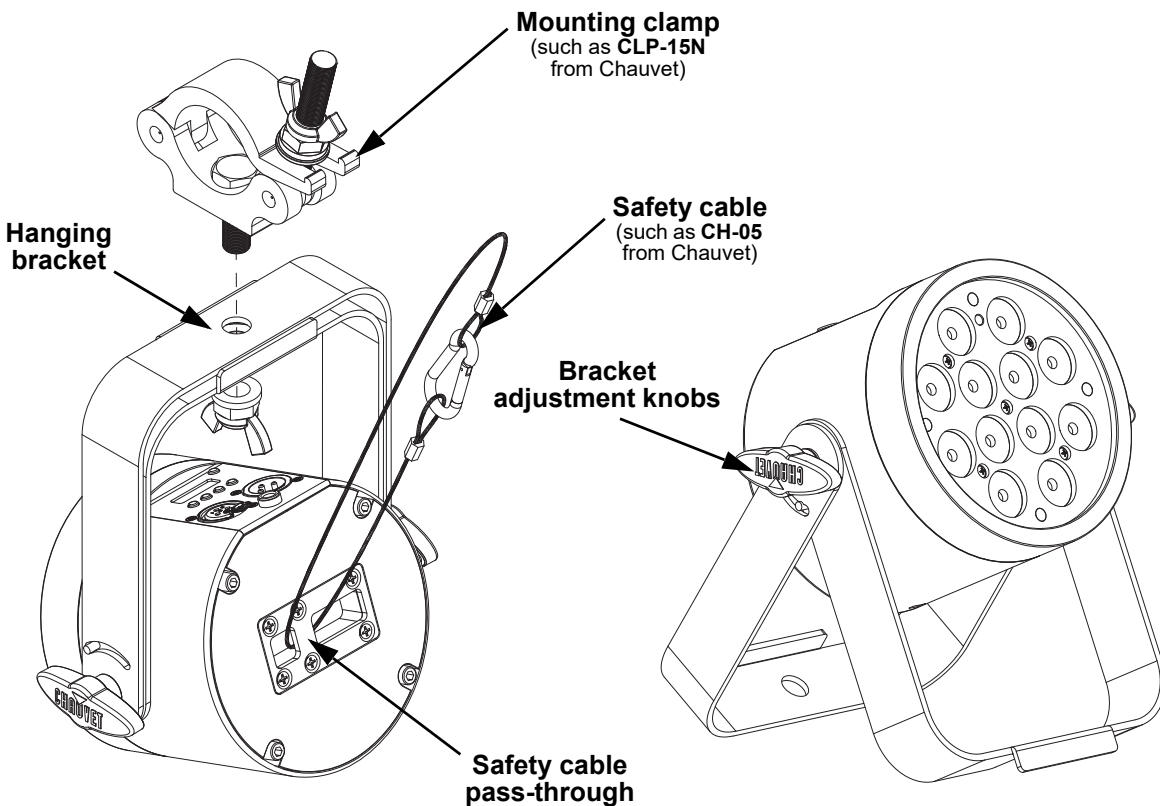
### Orientation

The Freedom Par Q12 may be mounted in any position; however, make sure adequate ventilation is provided around the product.

### Rigging

- Before deciding on a location for the product, always make sure there is easy access to the product for maintenance and programming.
- Make sure that the structure and attachment points can support the weight before hanging the product (see the [Technical Specifications](#) section for weight information).
- When mounting the product overhead, always use a safety cable. Mount the product securely to a rigging point, such as an elevated platform or a truss.
- When rigging the product onto a truss, use a mounting clamp of appropriate weight capacity. The bracket has a 13-mm hole, which is appropriate for this purpose.
- The bracket adjustment knobs allow for directional adjustment when aiming the product to the desired angle. Only loosen or tighten the bracket knobs manually. Using tools could damage the knobs.
- When power linking multiple products, mount the products close enough for power linking cables to reach.
- When mounting the product on the floor, make sure that the product and cables are away from people and vehicles.

### Mounting Diagram



To prevent accidental loosening when using a single mounting clamp, be sure to use a clamp with a captive bolt.

## 4. Operation

### Control Panel Operation

To access the control panel functions, use the four buttons located underneath the display. Please refer to the [Product Overview](#) to see the button locations on the control panel.

Button	Function
<MENU>	Press to find an operation mode or to back out of the current menu option
<UP>	Press to scroll up the list of options or to find a higher value
<DOWN>	Press to scroll down the list of options or to find a lower value
<ENTER>	Press to activate a menu option or a selected value

### Menu Map

Refer to the Freedom Par Q12 / Freedom Par Q12 X4 product page on [www.chauvetdj.com](http://www.chauvetdj.com) for the latest menu map and software.

Main Menu	Programming Levels	Description
DMX Address	001–509	Selects DMX starting address
DMX Channel	4 Ch	6-channel DMX mode
	6 Ch	8-channel DMX mode
	14 Ch	16-channel DMX mode
Static	Fixed Color	R
		G
		B
		A
		RG
		RB
		RA
		GB
		GA
		BA
		RGB
		RGA
		GBA
		RGBA
Manual Color	R= _ _ _ _	0–255
	G= _ _ _ _	
	B= _ _ _ _	
	A= _ _ _ _	
		Combines red, green, blue, amber, white, and purple to make a custom color (0–100%)

Main Menu	Programming Levels	Description
Static (cont.)	RED	Selects preset colors
	GREEN	
	BLUE	
	AMBER	
	YELLOW	
	MAGENTA	
	SUNSET	
	CYAN	
	LIME GREEN	
	WHITE	
	SOL	
	SEAFOAM	
	TURQUOISE	
	ORANGE	
	BABY BLUE	
	HOT PINK	
	EMERALD	
	OCEAN	
	BABY PINK	
	GOLDENROD	
	SKY	
	LAVENDER	
	FADED ORANGE	
	FUSCHIA	
	AMBIENT	
	2700 K	
	3500 K	
	4000 K	
	5000 K	
	6000K	
	2700K	
	3500K	
4000K		
5000K		
6000K		

Main Menu	Programming Levels			Description	
Auto Show	Auto 1–4	Speed	0–100	Selects the foreground and background colors, and adjusts the speed of auto programs  <b>Note:</b> Foreground and background colors are available only for auto programs 5–9	
	Auto 5–9	FG Color  BG Color	Speed		0–100
			R		
			G		
			B		
			RG		
			RB		
			RA		
			GB		
			GA		
			BA		
			RGB		
			RGA		
			RBA		
GBA					
RGBA					
Off					
Sound Show	Sound Sense	000–100		Adjusts sound sensitivity	
Slave Setting	Slave1			Sets which slave unit(s) will mimic the master unit	
	Slave2				
	Slave3				
	Slave4				
D-Fi Setting	D-Fi On/Off	On		Activates/deactivates D-Fi mode	
		Off			
	D-Fi Mode	Receive		Sets the product to receive D-Fi signal	
Transmit		Sets the product to transmit D-Fi signal			
	D-Fi Channel	CH01–CH16		Sets D-Fi channel	
RF Setting	Link			Links the fixture to a single RF remote	
	Public			Allows the fixture to respond to all RF signals	
	Group	Group1–4		Sets which group of fixture the RFC-XL remote will control	
	Off			Turns off RF reception	
Dimmer Mode	Off			Linear dimmer	
	Dimmer 1			Dimming curves: <b>Dimmer 1</b> (fast) to <b>Dimmer 3</b> (slow)	
	Dimmer 2				
	Dimmer 3				
Back Light	10S			Turns off display backlight after 10 seconds of inactivity	
	30S			Turns off display backlight after 30 seconds of inactivity	
	2Min			Turns off display backlight after 2 minutes of inactivity	
	Always On			Display backlight remains on	
Password	Off			Turns off password protection	
	On			Turns on password protection Password: <UP>, <DOWN>, <UP>, <DOWN>, <ENTER>	
Fixture ID	0000–9999			Sets the fixture ID	

Main Menu	Programming Levels	Description	
Information	Fixture Hours <_ _ _ _ _H>	Displays the total hours the product has been powered on	
	LED Hours <_ _ _ _ _H>	Displays the total LED hours	
	Version <V0.0.0.1>	Displays firmware version	
Upgrade Firmware	Only This Fixture	_ _ _ _ _ .CHL	Selects an update file for this product, or shows “ <b>No such file!</b> ”
		...	
	Multiple Fixtures	_ _ _ _ _ .CHL	Selects an update file for this and connected PRODUCT NAME products, or shows “ <b>No such file!</b> ”
		...	
	Other Fixture Type	_ _ _ _ _ .CHL	Selects an update file for other connected products, or shows “ <b>No such file!</b> ”
		...	
Factory Reset	No	Resets settings to factory default	
	Yes		

## DMX Configuration

The Freedom Par Q12 works with a DMX controller. Information about DMX is in the Chauvet DMX Primer, which is available from the Chauvet website [chauvetlighting.com/downloads/DMX\\_Primer\\_rev05\\_WO.pdf](http://chauvetlighting.com/downloads/DMX_Primer_rev05_WO.pdf).

### Starting Address

The Freedom Par Q12 uses up to 14 DMX channels, which defines the highest recommended address to **499**.

When selecting a starting DMX address, always consider the number of DMX channels the DMX mode uses. If the starting address is set too high, access to some channels could be restricted.

For information about the DMX protocol, download the DMX Primer from [www.chauvetdj.com](http://www.chauvetdj.com).

To select the starting address, do the following:

1. Press <MENU>.
2. Use <UP> or <DOWN> to select **DMX Address**.
3. Press <ENTER>.
4. Use <UP> or <DOWN> to select the starting address, from **001–499**.
5. Press <ENTER>.

### DMX Personalities

The Freedom Par Q12 has **3** DMX personalities: **4Ch**, **6Ch**, and **14Ch**.

To select which DMX personality to use, follow the steps below:

1. Press <MENU>.
2. Use <UP> or <DOWN> to select **DMX Channel**.
3. Press <ENTER>.
4. Use <UP> or <DOWN> to select the DMX personality, from **4Ch**, **6Ch**, or **14Ch**.
5. Press <ENTER>.

## D-Fi Connectivity

The Freedom Par Q12 can be configured to become a D-Fi wireless transceiver. See [D-Fi Setting](#) to properly configure the D-Fi connection.



**Once the D-Fi connection is established, D-Fi signal will take over the product. Wired DMX and manual display control / menu buttons will be unavailable until the D-Fi connection is terminated. The priority levels are:**

1. D-Fi connection
2. Wired DMX
3. Manual Digital Display/Menu Buttons

### D-Fi Compatibility

The Freedom Par Q12 can receive a DMX signal from the D-Fi Hub and the FlareCON Air 2 as well as other D-Fi products.

## DMX Channel Assignments and Values

### DMX Charts

4Ch	6Ch	14Ch	Function	Value	Percent/Setting
-	1	1	Dimmer	000 ⇔ 255	0–100%
1	2	2	Red	000 ⇔ 255	0–100%
2	3	3	Green	000 ⇔ 255	0–100%
3	4	4	Blue	000 ⇔ 255	0–100%
4	5	5	Amber	000 ⇔ 255	0–100%
-	6	6	Strobe	000 ⇔ 010	No function
				011 ⇔ 255	Strobe, slow to fast
-	-	7	Color macro	000 ⇔ 010	No function
				011 ⇔ 030	R:100% G:0–100% B:0%
				031 ⇔ 050	R:100–0% G:100% B:0%
				051 ⇔ 070	R:0% G:100% B:0–100%
				071 ⇔ 090	R:0% G:100–0% B:100%
				091 ⇔ 110	R:0–100% G:0% B:100%
				111 ⇔ 130	R:100% G:0% B:100–0%
				131 ⇔ 150	R:100% G:0–100% B:0–100%
				151 ⇔ 170	R:100–0% G:100–0% B:100%
				171 ⇔ 200	R:100% G:100% B:100% A:100%
				201 ⇔ 205	Color 1
				206 ⇔ 210	Color 2
				211 ⇔ 215	Color 3
				216 ⇔ 220	Color 4
				221 ⇔ 225	Color 5
226 ⇔ 230	Color 6				
231 ⇔ 235	Color 7				
236 ⇔ 240	Color 8				
241 ⇔ 245	Color 9				
246 ⇔ 250	Color 10				
251 ⇔ 255	Color 11				
-	-	8	Auto programs	000 ⇔ 021	No function
				022 ⇔ 043	Auto program 1
				044 ⇔ 065	Auto program 2
				066 ⇔ 087	Auto program 3
				088 ⇔ 109	Auto program 4
				110 ⇔ 131	Auto program 5
				132 ⇔ 153	Auto program 6
				154 ⇔ 175	Auto program 7
				176 ⇔ 197	Auto program 8
				198 ⇔ 219	Auto program 9
				220 ⇔ 241	Auto program 1–4
				242 ⇔ 255	Sound show
-	-	9	Foreground color dimmer	000 ⇔ 255	0–100%

4Ch	6Ch	14Ch	Function	Value	Percent/Setting
-	-	10	Foreground color	000 ⇔ 003	Red
				004 ⇔ 007	Green
				008 ⇔ 011	Blue
				012 ⇔ 015	Amber
				016 ⇔ 019	Red + Green
				020 ⇔ 023	Red + Blue
				024 ⇔ 027	Red + Amber
				028 ⇔ 031	Green + Blue
				032 ⇔ 035	Green + Amber
				036 ⇔ 039	Blue + Amber
				040 ⇔ 043	Red + Green + Blue
				044 ⇔ 047	Red + Green + Amber
				048 ⇔ 051	Red + Blue + Amber
				052 ⇔ 055	Green + Blue + Amber
				056 ⇔ 059	Red + Green + Blue + Amber
060 ⇔ 255	Off				
-	-	11	Background color dimmer	000 ⇔ 255	0–100%
-	-	12	Background color	000 ⇔ 003	Red
				004 ⇔ 007	Green
				008 ⇔ 011	Blue
				012 ⇔ 015	Amber
				016 ⇔ 019	Red + Green
				020 ⇔ 023	Red + Blue
				024 ⇔ 027	Red + Amber
				028 ⇔ 031	Green + Blue
				032 ⇔ 035	Green + Amber
				036 ⇔ 039	Blue + Amber
				040 ⇔ 043	Red + Green + Blue
				044 ⇔ 047	Red + Green + Amber
				048 ⇔ 051	Red + Blue + Amber
				052 ⇔ 055	Green + Blue + Amber
				056 ⇔ 059	Red + Green + Blue + Amber
060 ⇔ 255	Off				
-	-	13	Auto speed (when Ch 8 is 001–241)	000 ⇔ 255	Auto program speed, slow to fast
			Sound sensitivity (when Ch 8 is 242–255)	000 ⇔ 010	No function
				011 ⇔ 255	0–100%
-	-	14	Dimmer speed mode	000 ⇔ 051	Preset dimmer speed from display menu
				052 ⇔ 101	Dimmer speed mode off
				102 ⇔ 152	Dimmer speed mode 1 (fast)
				153 ⇔ 203	Dimmer speed mode 2 (medium)
				204 ⇔ 255	Dimmer speed mode 3 (slow)

## Standalone Configuration

Set the product in one of the standalone modes to operate without a DMX controller.



**Never connect a product that is operating in any standalone mode to a DMX string connected to a DMX controller. Products in standalone mode may transmit DMX signals that could interfere with the DMX signals from the controller.**

### Fixed Color Mode

To run the Freedom Par Q12 with a single static color or combination of static colors:

1. Press **<MENU>** repeatedly until **Static** shows on the display.
2. Press **<ENTER>**.
3. Use **<UP>** or **<DOWN>** to select **Fixed Color**.
4. Press **<ENTER>**.
5. Use **<UP>** or **<DOWN>** to select a static color from **R, G, B, A, RG, RB, RA, GB, GA, BA, RGB, RGA, GBA, or RGBA**.

### Custom Color Mixing

To run the Freedom Par Q12 with a custom static color:

1. Press **<MENU>** repeatedly until **Static** shows on the display.
2. Press **<ENTER>**.
3. Press **<ENTER>** to cycle through the options, **R=\_\_\_** (red), **G=\_\_\_** (green), **B=\_\_\_** (blue), or **A=\_\_\_** (amber).
4. Press **<ENTER>** to select a color to adjust.
5. Use **<UP>** or **<DOWN>** to increase or decrease the selected value from **000–255**.
6. Repeat steps 3–4 until the product output is set as desired.

### Preset Color Mode

To run the Freedom Par Q12 with a preset static color:

1. Press **<MENU>** repeatedly until **Static** shows on the display.
2. Press **<ENTER>**.
3. Use **<UP>** or **<DOWN>** to select a preset color from: **Red, Green, Blue, Amber, Yellow, Magenta, Sunset, Cyan, Lime Green, White, Sol, Seafoam, Turquoise, Orange, Baby Blue, Hot Pink, Emerald, Ocean, Baby Pink, Goldenrod, Sky, Lavender, Faded Orange, Fuschia, Ambient, 2700K, 3500K, 4000K, 5000K, or 6000K**.
4. Press **<ENTER>**.

### Automatic Programs

To run the Freedom Par Q12 with an automatic program:

1. Press **<MENU>** repeatedly until **Auto Show** shows on the display.
2. Press **<ENTER>**.
3. Use **<UP>** or **<DOWN>** to select an auto program, from **Auto 1–9**.
4. Press **<ENTER>**.

To choose a foreground or background color for the auto programs:

1. Follow steps 1–4 above to select an automatic program.
2. Use **<UP>** or **<DOWN>** to select between **FG Color** (foreground color) and **BG Color** (background color).
3. Press **<ENTER>**.
4. Use **<UP>** or **<DOWN>** to select a static color, from **R, G, B, A, RG, RB, RA, GB, GA, BA, RGB, RGA, RBA, GBA, RGBA, or Off** (turns off foreground or background color).
5. Press **<ENTER>**.



**The foreground and background color options are available only for auto programs 5–9.**

To change the auto-program speed on the Freedom Par Q12:

1. Follow steps 1–4 above to select an automatic program.
2. Use **<UP>** or **<DOWN>** to select **Speed**.
3. Press **<ENTER>**.
4. Use **<UP>** or **<DOWN>** to increase or decrease the program speed, from **0–100**.
5. Press **<ENTER>**. The product will return to the last selected mode.

## Sound-Active Mode

To run the Freedom Par Q12 with a sound-active program:

1. Press **<MENU>** repeatedly until **Sound Show** shows on the display.
2. Press **<ENTER>**.
3. Use **<UP>** or **<DOWN>** to set the sound sensitivity from **000–100**.
4. Press **<ENTER>**.



The product will only respond to low frequencies of music (bass and drums).

## D-Fi Setting

To access the D-Fi Setting menu on the Freedom Par Q12:

1. Press **<MENU>** repeatedly until **D-Fi Setting** shows on the display.
2. Press **<ENTER>**.

To activate or deactivate the D-Fi mode on the Freedom Par Q12:

1. Access the D-Fi Setting menu to select the **D-Fi On/Off** option.
2. Use **<UP>** or **<DOWN>** to select **On** (to activate D-Fi mode) or **Off** (to deactivate D-Fi mode).
3. Press **<ENTER>**.

To set which D-Fi mode the Freedom Par Q12 will follow:

1. Access the D-Fi Setting menu to select the **D-Fi Mode** option.
2. Use **<UP>** or **<DOWN>** to select **Receive** (to set the product to receive D-Fi signal) or **Transmit** (to set the product to transmit D-Fi signal).
3. Press **<ENTER>**.

To set the D-Fi channel on the Freedom Par Q12, follow the instructions below:

1. Access the D-Fi Setting menu to select the **D-Fi Channel** option.
2. Use **<UP>** or **<DOWN>** to set the D-Fi channel, from **CH01–CH16**.
3. Press **<ENTER>**.

## Dimmer Mode

To select the dimmer mode:

1. Press **<MENU>** repeatedly until **Dimmer Mode** shows on the display.
2. Press **<ENTER>**.
3. Use **<UP>** or **<DOWN>** to select from **Dimmer 1** (fastest) to **3** (slowest) or **Off** (linear dimmer).
4. Press **<ENTER>**.

## Display Back Light

To select how long a period of inactivity before the display automatically turns off, do the following:

1. Press **<MENU>** repeatedly until **Back Light** shows on the display.
2. Press **<ENTER>**.
3. Use **<UP>** or **<DOWN>** to select the back light timer: **10S** (10 seconds), **30S** (30 seconds), **2Min** (2 minutes), or **Always On**.
4. Press **<ENTER>**.

## Password

To password protect a Freedom Par Q12 fixture:

1. Press **<MENU>** repeatedly until **Password** shows on the display.
2. Press **<ENTER>**.
3. Use **<UP>** or **<DOWN>** to select **On** (activates password protection) or **Off** (deactivates password protection).
4. Press **<ENTER>**.



When the password protection is activated, the product will prompt for the passcode in order to access the menu. The passcode is: **<UP>**, **<DOWN>**, **<UP>**, **<DOWN>**, **<ENTER>**.

### Product Information

To view the product information:

1. Press **<MENU>** repeatedly until **Information** shows on the display. Press **<ENTER>**.
2. Use **<UP>** or **<DOWN>** to choose among:
  - **Fixture Hours** – to display the number of hours the fixture has been powered on
  - **LED Hours** – to display the total LED hours used
  - **Version** – to display the current software version of the fixture

### Factory Reset

To reset the product to factory default settings:

1. Press **<MENU>** repeatedly until **Information** shows on the display.
2. Press **<ENTER>**.
3. Use **<UP>** or **<DOWN>** to select **No** (cancel) or **Yes** (reset).
4. Press **<ENTER>**.

### Master/Slave Mode

The Master/Slave mode allows a single Freedom Par Q12 product (the “master”) to control the actions of one or more Freedom Par Q12 products (the “slaves”) without the need of a DMX controller. The master product will be set to operate in standalone mode, while the slave products will be set to operate in slave mode. Once set and connected, the slave products will operate in unison with the master product.

Configure the products as indicated below.

#### Slave products:

1. Configure slave units to receive a D-Fi signal on a specific channel by following the [D-Fi Setting](#) instructions.
2. Press **<MENU>** repeatedly until **Slave Setting** shows on the display.
3. Press **<ENTER>**.
4. Use **<UP>** or **<DOWN>** to select the slave unit(s), from **Slave 1–4**.
5. Press **<ENTER>**.
6. Set the DMX address to **001**.
7. Finish setting and connecting all the slave products.

#### Master product:

1. Set the master product to operate in standalone mode.
2. Set the master product to transmit a D-Fi signal on the same channel the slaves are receiving on.



- **All products must be set to the same DMX personality, DMX address, and D-Fi channel.**
- **Configure all the slave products before configuring the master to transmit.**
- **Never connect a DMX controller to a D-Fi channel configured for Master/Slave operation because the controller may interfere with the signals from the master.**

## RFC Remote Control

The Freedom Par Q12 can be operated with an RFC remote or an RFC-XL remote (sold separately).



For more information about using an RFC or RFC-XL remote, download the user manuals from [www.chauvetdj.com](http://www.chauvetdj.com)

## RFC Remote Binding

To enable RF control, the product must bind to the RFC/RFC-XL. To bind the Freedom Par Q12 to an RFC/RFC-XL, follow the instructions below:

1. Press **<MENU>** repeatedly until **RF Setting** shows on the display.
2. Press **<ENTER>**.
3. Use **<UP>** or **<DOWN>** to select **Link**.
4. Press **<ENTER>**.
5. Press and hold **<BLACK OUT>** on the RFC/RFC-XL until it blinks to link the fixture to that RF remote.
6. The display will show **RF Connected** when binding is successful.

## RFC Control Options

The RFC-XL can control multiple products at once, whether in defined groups or in public mode. To set the Freedom Par Q12 to public RFC/RFC-XL control:

1. Press **<MENU>** repeatedly until **RF Setting** shows on the display.
2. Press **<ENTER>**.
3. Use **<UP>** or **<DOWN>** to select **Public**.
4. Press **<ENTER>**.

To set the Freedom Par Q12 to an RFC-XL group:

1. Press **<MENU>** repeatedly until **RF Setting** shows on the display.
2. Press **<ENTER>**.
3. Use **<UP>** or **<DOWN>** to select **Group**.
4. Press **<ENTER>**.
5. Use **<UP>** or **<DOWN>** to select a group **1–4**.
6. Press **<ENTER>**.

## RFC Remote Control Operation

RFC	Button	Function
	<BLACK OUT>	Press to turn off all lights until the button is pressed again
	<STROBE>	Press to toggle strobe, then use <+> or <-> to increase or decrease strobe speed
	<DIMMER>	Press then use <+> or <-> to increase or decrease the dimmer
	<AUTO>	Press to activate automatic mode, then use <+> or <-> to select a program
	<SPD/SENS>	Press then use <+> or <-> to increase or decrease speed or sensitivity
	<SOUND>	Press to activate sound-active mode, then use <+> or <-> to select a program
	<->	Press to decrease speed, sensitivity, or the dimmer/color value, or to scroll down the list of programs
	<+>	Press to increase speed, sensitivity, or the dimmer/color value, or to scroll up the list of programs
	<FREEZE>	Press to stop all movement and color chasing
	<R>	In manual mode, press then use <+> or <-> to increase or decrease the red value
	<G>	In manual mode, press then use <+> or <-> to increase or decrease the green value
	<B>	In manual mode, press then use <+> or <-> to increase or decrease the blue value
	<A>	In manual mode, press then use <+> or <-> to increase or decrease the amber value
	<FADE/SNAP>	Press to toggle between fade and snap programs
	<MANUAL>	Press to activate manual mode
	<PRESET/COLOR>	Press to activate presets/colors, then use <+> or <-> to select a preset/color



The RFC remote will not respond to any inputs when Freeze or Black Out is activated. If the remote does not respond when a button is pressed, try pressing <FREEZE> or <BLACK OUT>. Freeze or Black Out may have been inadvertently activated.

### RFC-XL Remote Control Operation

RFC	Button	Function
	<ON/OFF>	Press to power the RFC-XL on or off
	Color picker	Use to select a color (does not correspond to colors printed on remote)
	<GROUP>	Press to cycle between groups 1–4 and public mode
	<BLACK OUT>	Press to turn off all lights until the button is pressed again
	<AUTO>	Press to activate automatic mode, then use <^> or <v> to select a program
	<FADE>	Press to toggle between fade and snap programs
	<SOUND>	Press to activate sound-active mode, then use <^> or <v> to select a program
	<SPEED/ SENSITIVITY>	Press then use <^> or <v> to increase or decrease speed or sensitivity
	<^>	Press to increase the selected value, or to scroll up the list of options
	<v>	Press to decrease the selected value, or to scroll down the list of options
	<STROBE>	Press to toggle strobe, then use <^> or <v> to increase or decrease strobe speed
	<DIMMER>	Press then use <^> or <v> to increase or decrease the dimmer
	<RED>	In manual mode, press then use <^> or <v> to increase or decrease the red value
	<GREEN>	In manual mode, press then use <^> or <v> to increase or decrease the green value
	<BLUE>	In manual mode, press then use <^> or <v> to increase or decrease the blue value
	<AMBER>	In manual mode, press then use <^> or <v> to increase or decrease the amber value
	<FREEZE>	Press to stop all movement and color chasing



The RFC-XL remote will not respond to any inputs when Black Out is activated. If the remote does not respond when a button is pressed, try pressing <BLACK OUT>. You may have inadvertently activated Black Out.

# 5. Maintenance

## Product Maintenance

Dust build-up reduces light output performance and can cause overheating. This can lead to reduction of the light source's life and/or mechanical wear. To maintain optimum performance and minimize wear, clean all lighting products at least twice a month. However, be aware that usage and environmental conditions could be contributing factors to increase the cleaning frequency.

To clean the product, follow the instructions below:

1. Unplug the product from power.
2. Wait until the product is at room temperature.
3. Use a vacuum (or dry compressed air) and a soft brush to remove dust collected on the external surface/vents.
4. Clean all transparent surfaces with a mild soap solution, ammonia-free glass cleaner, or isopropyl alcohol.
5. Apply the solution directly to a soft, lint free cotton cloth or a lens cleaning tissue.
6. Softly drag any dirt or grime to the outside of the transparent surface.
7. Gently polish the transparent surfaces until they are free of haze and lint.



**Always dry the transparent surfaces carefully after cleaning them.**

## 6. Technical Specifications

### Dimensions and Weight

	Length	Width	Height	Weight
<b>Freedom Par Q12</b>	8.7 in (222 mm)	7.8 in (197 mm)	4.8 in (123 mm)	5.4 lb (2.4 kg)
<b>Carry Case</b>	23.7 in (602mm)	16.5 in (419 mm)	7.3 in (185 mm)	16 lb (7.2 kg)

**Note:** Dimensions in inches are rounded.

### Power

Power Supply Type	Range	Voltage Selection	DC Input
Switching (external multi-charger)	100 to 240 VAC, 50/60 Hz	Auto-ranging	12 V

Parameter	120 V, 60 Hz	230 V, 50 Hz
Consumption	22 W	22 W
Operating Current	0.3 A	0.2 A

### Battery Power

Capacity	Voltage	Watt Hours	Lithium Content
5.0 Ah	18.5 VDC	92.5 Wh	15 g

Recharge Time	Max Run Time (all on)	Max Run Time (single color)
5.0 Ah	18.5 VDC	92.5 Wh

### Light Source

Type	Color	Quantity	Power	Current	Lifespan
LED	RGBA	12	6 W	1.5 A	50,000 hours

### Photometrics

Parameter	With Diffuser	Without Diffuser
Beam Angle	25°	12°
Field Angle	49°	23°
Illuminance @2m	1,005 lux	4,185 lux

Lumens	Strobe Rate
1,255	0 to 20 Hz

### Thermal

Maximum External Temperature	Cooling System
113 °F (45 °C)	Convection

### DMX

I/O Connector	Channel Range
3-pin XLR	4, 6, or 14

### Ordering

Product Name	Item Code	UPC Number
Freedom Par Q12	03032739	781462230876
Freedom Par Q12X4	03032740	781462230883



## Contact Us

General Information	Technical Support
<b>Chauvet World Headquarters</b>	
Address: 3360 Davie Rd., Suite 509 Davie, FL 33314 Voice: (954) 577-4455 Fax: (954) 929-5560 Toll Free: (800) 762-1084	Voice: (844) 393-7575 Fax: (954) 756-8015 Email: <a href="mailto:chauvetcs@chauvetlighting.com">chauvetcs@chauvetlighting.com</a> Website: <a href="http://www.chauvetdj.com">www.chauvetdj.com</a>
<b>Chauvet U.K.</b>	
Address: Pod 1 EVO Park Little Oak Drive, Sherwood Park Nottinghamshire, NG15 0EB UK Voice: +44 (0) 1773 511115 Fax: +44 (0) 1773 511110	Email: <a href="mailto:UKtech@chauvetlighting.eu">UKtech@chauvetlighting.eu</a> Website: <a href="http://www.chauvetdj.eu">www.chauvetdj.eu</a>
<b>Chauvet Benelux</b>	
Address: Vaartlaan 9 9800 Deinze Belgium Voice: +32 9 388 93 97	Email: <a href="mailto:BNLtech@chauvetlighting.eu">BNLtech@chauvetlighting.eu</a> Website: <a href="http://www.chauvetdj.eu">www.chauvetdj.eu</a>
<b>Chauvet France</b>	
Address: 3, Rue Ampère 91380 Chilly-Mazarin France Voice: +33 1 78 85 33 59	Email: <a href="mailto:FRtech@chauvetlighting.fr">FRtech@chauvetlighting.fr</a> Website: <a href="http://www.chauvetdj.eu">www.chauvetdj.eu</a>
<b>Chauvet Germany</b>	
Address: Bruno-Bürgel-Str. 11 28759 Bremen Germany Voice: +49 421 62 60 20	Email: <a href="mailto:DEtech@chauvetlighting.de">DEtech@chauvetlighting.de</a> Website: <a href="http://www.chauvetdj.eu">www.chauvetdj.eu</a>
<b>Chauvet Mexico</b>	
Address: Av. de las Partidas 34 - 3B (Entrance by Calle 2) Zona Industrial Lerma Lerma, Edo. de México, CP 52000 Voice: +52 (728) 690-2010	Email: <a href="mailto:servicio@chauvet.com.mx">servicio@chauvet.com.mx</a> Website: <a href="http://www.chauvetdj.mx">www.chauvetdj.mx</a>

## Warranty & Returns

For warranty terms and conditions and return information, please visit our website.

For customers in the United States and Mexico: [www.chauvetlighting.com/warranty-registration](http://www.chauvetlighting.com/warranty-registration).

For customers in the United Kingdom, Republic of Ireland, Belgium, the Netherlands, Luxembourg, France, and Germany: [www.chauvetlighting.eu/warranty-registration](http://www.chauvetlighting.eu/warranty-registration).