



**D-Fi**  **USB 2.0**

**User Manual**



## Edition Notes

The D-Fi USB 2 and D-Fi USB 2x4 User Manual includes a description, safety precautions, installation, programming, operation, and maintenance instructions for the D-Fi USB 2 and D-Fi USB 2x4 as of the release date of this edition.

## Trademarks

Chauvet, Chauvet DJ, the Chauvet logo, and D-Fi are registered trademarks or trademarks of Chauvet & Sons, LLC (d/b/a Chauvet and Chauvet Lighting) in the United States and other countries. Other company and product names and logos referred to herein may be trademarks of their respective companies.

## Copyright Notice

The works of authorship contained in this manual, including, but not limited to, all designs, text, and images are owned by Chauvet.

© Copyright 2024 Chauvet & Sons, LLC. All rights reserved.

Electronically published by Chauvet in the United States of America.

## Manual Use

Chauvet authorizes its customers to download and print this manual for professional information purposes only. Chauvet expressly prohibits the usage, copy, storage, distribution, modification, or printing of this manual or its content for any other purpose without written consent from Chauvet.

## Document Printing

For best results, print this document in color, on letter size paper (8.5 x 11 in), double-sided. If using A4 paper (210 x 297 mm), configure the printer to scale the content accordingly.

## Intended Audience

Any person installing, operating, and/or maintaining this product should completely read through the guide that shipped with the product, as well as this manual, before installing, operating, or maintaining this product.

## Disclaimer

Chauvet believes that the information contained in this manual is accurate in all respects. However, Chauvet assumes no responsibility and specifically disclaims any and all liability to any party for any loss, damage, or disruption caused by any errors or omissions in this document, whether such errors or omissions result from negligence, accident, or any other cause. Chauvet reserves the right to revise the content of this document without any obligation to notify any person or company of such revision; however, Chauvet has no obligation to make, and does not commit to make, any such revisions.

## Document Revision

Go to [www.chauvetdj.com](http://www.chauvetdj.com) for the latest version.

Revision	Date	Description
1	02/2024	Initial release.

---

## TABLE OF CONTENTS

<b>1. Before You Begin</b> .....	1
What Is Included .....	1
Unpacking Instructions .....	1
Claims .....	1
Symbols .....	1
Safety Notes .....	2
FCC Statement of Compliance .....	2
<b>2. Introduction</b> .....	3
Product Overview .....	3
Product Dimensions .....	3
<b>3. Operation</b> .....	4
<b>4. Technical Specifications</b> .....	5
<b>Contact Us</b> .....	6
Warranty & Returns .....	6

# 1. Before You Begin

## What Is Included

### D-Fi USB 2

- D-Fi USB 2
- Quick Reference Guide

### D-Fi USB 2x4

- D-Fi USB 2 (x4)
- Quick Reference Guide

## Unpacking Instructions





Carefully unpack the product immediately and check the container to make sure all the parts are in the package and are in good condition.

### Claims

If the box or the contents (the product and included accessories) appear damaged from shipping, or show signs of mishandling, notify the carrier immediately, not Chauvet. Failure to report damage to the carrier immediately may invalidate a claim. In addition, keep the box and contents for inspection.

For other issues, such as missing components or parts, damage not related to shipping, or concealed damage, file a claim with Chauvet within 7 days of delivery.

## Symbols

Symbol	Meaning
	Electrical warning. Not following these instructions may cause electrical damage to the product, accessories, or the user.
	Critical installation, configuration, or operation information. Not following these instructions may make the product not work, cause damage to the product, or cause harm to the operator.
	Important installation or configuration information. The product may not function correctly if this information is not used.
	Useful information.

### Safety Notes

These Safety Notes include important information about installation, use, and maintenance of the D-Fi USB 2 and D-Fi USB 2x4..



■ **ALWAYS:**

- ◆ Connect to operating voltages as specified on the product's spec sticker.
- ◆ Disconnect from its power source during periods of inactivity.
- ◆ Heed all restrictions and warnings on the spec sticker.

■ In the event of a serious operating problem, stop using immediately.

■ **DO NOT:**

- ◆ Open this product or attempt any repairs. It contains no user-serviceable parts.
- ◆ Allow flammable materials close to the product when it is operating.
- ◆ Connect to a dimmer or rheostat.
- ◆ Operate in temperatures higher than 104°F (40°C).
- ◆ Expose to environments that exceed the Ingress Protection (IP) rating.
- ◆ Expose to rain or moisture.
- ◆ Use outdoors.
- ◆ Submerge.
- ◆ Leave outdoors for extended periods of time.
- ◆ Expose to corrosive environmental conditions such as temperature, humidity, salinity, pressure, radiation, or shock.
- ◆ Set this product on a flammable surface.



**Keep this User Manual for future use. If the product is sold to someone else, be sure that they also receive this document.**

### FCC Statement of Compliance

This device complies with Part 15 Part B of the FCC rules. Operation is subject to the following two conditions:

1. This device may not cause harmful interference, and
2. This device must accept any interference received, including interference that may cause undesired operation.

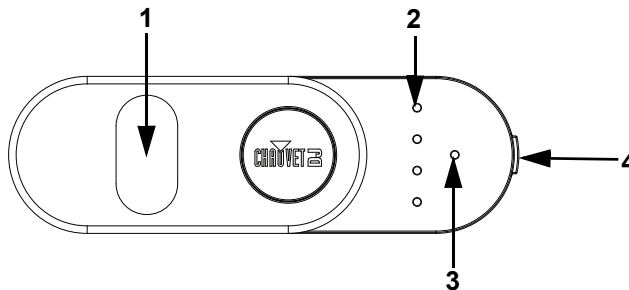
This equipment has been tested and found to comply with the limits for a Class B digital device, pursuant to Part 15 of the FCC Rules. These limits are designed to provide reasonable protection against harmful interference in a residential installation. This equipment generates uses and can radiate radio frequency energy and, if not installed and used in accordance with the instructions, may cause harmful interference to radio communications. However, there is no guarantee that interference will not occur in a particular installation. If this equipment does cause harmful interference to radio or television reception, which can be determined by turning the equipment off and on, the user is encouraged to try to correct the interference by one or more of the following measures:

- Reorient or relocate the receiving antenna.
- Increase the separation between the equipment and receiver.
- Connect the equipment into an outlet on a circuit different from that to which the receiver is connected.
- Consult the dealer or an experienced radio/TV technician for help.

Any changes or modifications not expressly approved by the party responsible for compliance could void the user's authority to operate the equipment.

## 2. Introduction

### Product Overview



#	Name
1	Signal indicator window
2	Channel indicator lights
3	Signal indicator lights
4	Mode button

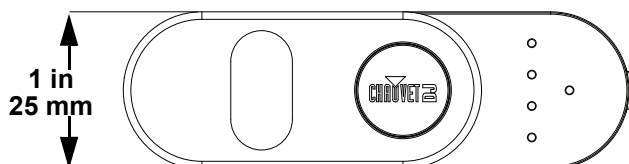
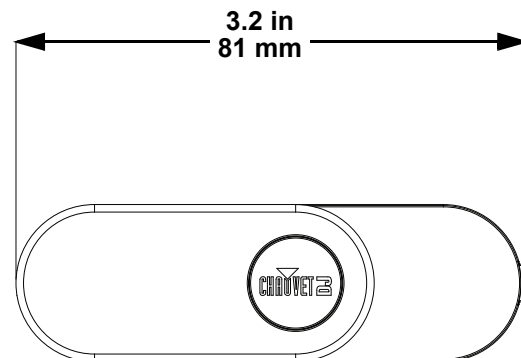
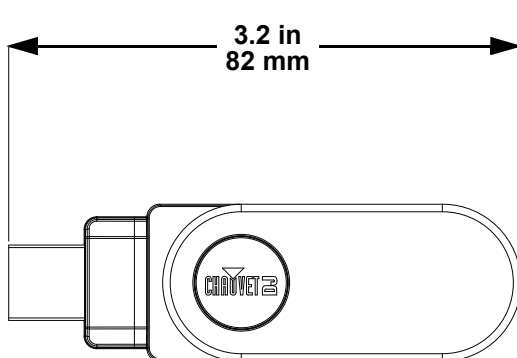
### Signal indicator lights

Color	Description
Green	Functioning as the signal transmitter
Red	Functioning as the signal receiver



**WARNING! DO NOT** plug anything other than a D-Fi USB into the USB type B port. Doing so may cause damage to the product.

### Product Dimensions



### 3. Operation

The D-Fi USB 2 and D-Fi USB 2x4 enables wireless communication between two or more products with a D-Fi USB Port. One product acts as a transmitter while others act as receivers, eliminating the need for DMX cables while transferring DMX/ILS commands and master/slave signals between similar fixtures. For further information on connecting and configuring a product for D-Fi USB operation, refer to the product's User Manual.

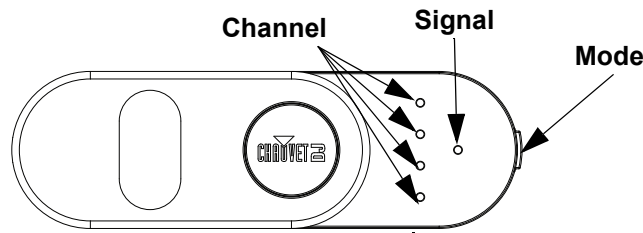
To set the D-Fi channel on the D-Fi USB 2 and D-Fi USB 2x4:

1. Set the DMX personality and DMX address to match on the desired fixtures.
2. Press and hold the **<MODE>** button to set the product D-Fi USB 2 as either a transmitter or receiver.

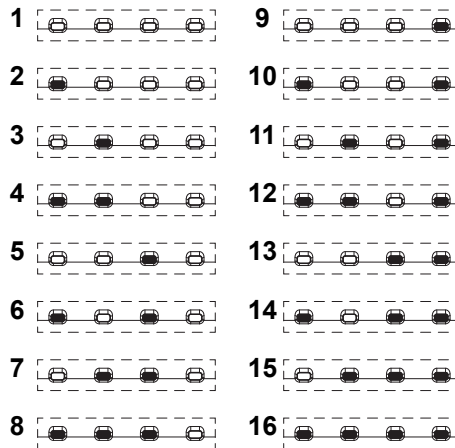


- **The signal indicator on the D-Fi USB 2 shows green when set as transmitter and red when set as receiver.**
- **The signal indicator will blink slowly when waiting for signal and blink rapidly once connected to the fixture.**

3. Once one product is set to transmit and at least one is set to receive, press the **<MODE>** button repeatedly on each to cycle through channels 1–16 (see diagram below).



Channel Key



**The channels on both/all of the D-Fi USB 2 products must match to ensure connectivity.**

4. Select a program on the transmitting fixture to command all of the linked fixtures.



- **Once plugged in the D-Fi USB 2 will have priority over other**
- **The priority levels are 1. D-Fi USB, 2. Wired DMX, 3. IRC-6 Remote Control, and 4. Manual digital display/menu buttons.**



**WARNING! DO NOT plug anything other than a D-Fi USB into the USB type B port. Doing so may cause damage to the product.**

## 4. Technical Specifications

### Dimensions and Weight

Length	Width	Height	Weight
3.2 in (81.5 mm)	0.9 in (25 mm)	0.55 in (14.2 mm)	0.7 oz (20 g)

**Note:** Dimensions in inches are rounded.

### Operating Frequency

Minimum	Maximum
2.412 Ghz	2.484 GHz

RF Output	Max Unobstructed Distance	Input Voltage	DMX Refresh Rate
12.72 dBm	165 ft (50 m)	5 VDC	17Hz

### Ordering

Product Name	Item Code	UPC Number
D-Fi SB 2	03112212	781462225605
D-Fi USB 2x4	03112211	781462225599





## Contact Us

General Information	Technical Support
<b>Chauvet World Headquarters</b>	
Address: 3360 Davie Rd., Suite 509 Davie, FL 33314 Voice: (954) 577-4455 Fax: (954) 929-5560 Toll Free: (800) 762-1084	Voice: (844) 393-7575 Fax: (954) 756-8015 Email: <a href="mailto:chauvetcs@chauvetlighting.com">chauvetcs@chauvetlighting.com</a> Website: <a href="http://www.chauvetdj.com">www.chauvetdj.com</a>
<b>Chauvet U.K.</b>	
Address: Pod 1 EVO Park Little Oak Drive, Sherwood Park Nottinghamshire, NG15 0EB UK Voice: +44 (0) 1773 511115 Fax: +44 (0) 1773 511110	Email: <a href="mailto:UKtech@chauvetlighting.eu">UKtech@chauvetlighting.eu</a> Website: <a href="http://www.chauvetdj.eu">www.chauvetdj.eu</a>
<b>Chauvet Benelux</b>	
Address: Stokstraat 18 9770 Kruishoutem Belgium Voice: +32 9 388 93 97	Email: <a href="mailto:BNLtech@chauvetlighting.eu">BNLtech@chauvetlighting.eu</a> Website: <a href="http://www.chauvetdj.eu">www.chauvetdj.eu</a>
<b>Chauvet France</b>	
Address: 3, Rue Ampère 91380 Chilly-Mazarin France Voice: +33 1 78 85 33 59	Email: <a href="mailto:FRtech@chauvetlighting.fr">FRtech@chauvetlighting.fr</a> Website: <a href="http://www.chauvetdj.eu">www.chauvetdj.eu</a>
<b>Chauvet Germany</b>	
Address: Bruno-Bürgel-Str. 11 28759 Bremen Germany Voice: +49 421 62 60 20	Email: <a href="mailto:DEtech@chauvetlighting.de">DEtech@chauvetlighting.de</a> Website: <a href="http://www.chauvetdj.eu">www.chauvetdj.eu</a>
<b>Chauvet Mexico</b>	
Address: Av. de las Partidas 34 - 3B (Entrance by Calle 2) Zona Industrial Lerma Lerma, Edo. de México, CP 52000 Voice: +52 (728) 690-2010	Email: <a href="mailto:servicio@chauvet.com.mx">servicio@chauvet.com.mx</a> Website: <a href="http://www.chauvetdj.mx">www.chauvetdj.mx</a>

## Warranty & Returns

For warranty terms and conditions and return information, please visit our website.

For customers in the United States and Mexico: [www.chauvetlighting.com/warranty-registration](http://www.chauvetlighting.com/warranty-registration).

For customers in the United Kingdom, Republic of Ireland, Belgium, the Netherlands, Luxembourg, France, and Germany: [www.chauvetlighting.eu/warranty-registration](http://www.chauvetlighting.eu/warranty-registration).