

INTIMIDATOR

SCAN 360

User Manual

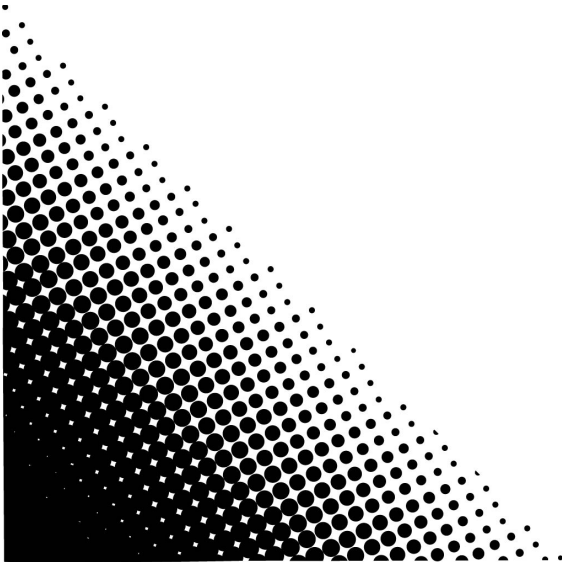
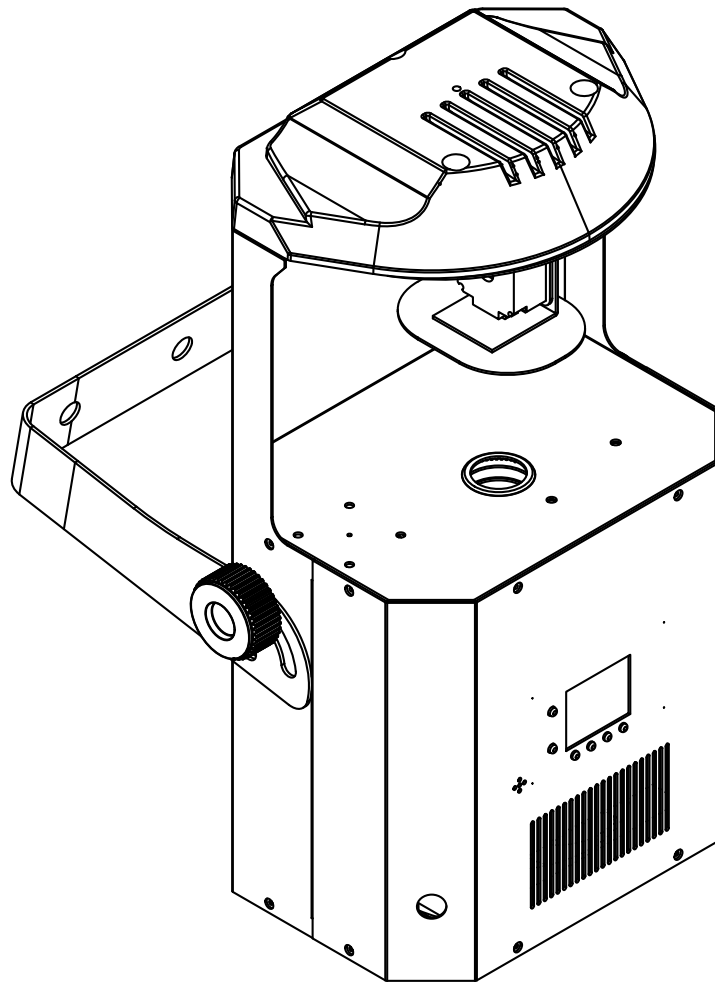


TABLE OF CONTENTS

1. Before You Begin	1
What Is Included	1
Unpacking Instructions.....	1
Claims	1
Text Conventions	1
Symbols	1
Disclaimer	1
Intellectual Property	1
Safety Notes.....	2
2. Introduction	3
Product Overview.....	3
Product Dimensions	3
3. Setup	4
AC Power	4
Fuse Replacement.....	4
Power Linking.....	4
Mounting	5
Orientation.....	5
Rigging	5
4. Operation	6
Control Panel Operation.....	6
Menu Map	6
Configuration (DMX)	7
Starting Address.....	7
DMX Personalities.....	7
DMX Channel Assignments and Values	7
Gobos.....	7
DMX Values	7
Configuration (Standalone)	10
Automatic Programs.....	10
Sound-Active Mode.....	10
Sound Sensitivity.....	10
Manual Mode.....	10
Configuration (Settings)	11
Pan Reverse.....	11
Tilt Reverse	11
Screen Reverse.....	11
Signal Loss.....	11
Indicator.....	11
Flash if DMX.....	11
Factory Reset.....	12
System Information	12
IRC-6 Infrared Remote Control	12
IRC-6 Operation.....	12
Master/Slave Mode	13
5. Maintenance	14
Product Maintenance	14
6. Technical Specifications	15
Returns	16
Contact Us	17

1. Before You Begin

What Is Included

- Intimidator Scan 360
- Power cord
- Quick Reference Guide

Unpacking Instructions

Carefully unpack the product immediately and check the container to make sure all the parts are in the package and are in good condition.

Claims





If the box or the contents (the product and included accessories) appear damaged from shipping, or show signs of mishandling, notify the carrier immediately, not Chauvet. Failure to report damage to the carrier immediately may invalidate your claim. In addition, keep the box and contents for inspection.

For other issues, such as missing components or parts, damage not related to shipping, or concealed damage, file a claim with Chauvet within 7 days of delivery.

Text Conventions

Convention	Meaning
1–512	A range of values
50/60	A set of values of which only one can be chosen
Settings	A menu option not to be modified
<ENTER>	A key to be pressed on the product's control panel
ON	A value to be entered or selected

Symbols

Symbol	Meaning
	Electrical warning. Not following these instructions may cause electrical damage to the product, accessories, or the user.
	Critical installation, configuration, or operation information. Not following these instructions may make the product not work, cause damage to the product, or cause harm to the operator.
	Important installation or configuration information. The product may not function correctly if this information is not used.
	Useful information.

Disclaimer

Chauvet believes that the information contained in this manual is accurate in all respects. However, Chauvet assumes no responsibility and specifically disclaims any and all liability to any party for any loss, damage or disruption caused by any errors or omissions in this document, whether such errors or omissions result from negligence, accident or any other cause. Chauvet reserves the right to revise the content of this document without any obligation to notify any person or company of such revision, however, Chauvet has no obligation to make, and does not commit to make, any such revisions. Download the latest version from www.chauvetdj.com.

Intellectual Property

The works of authorship contained in this manual, including, but not limited to, all design, text and images are owned by Chauvet.

© Copyright 2020 Chauvet & Sons, LLC. All rights reserved.

Electronically published by Chauvet in the United States of America.

CHAUVET, the Chauvet logo, and Intimidator Scan 360 are registered trademarks or trademarks of Chauvet & Sons LLC (d/b/a Chauvet and Chauvet Lighting) in the United States and other countries. Other company and product names and logos referred to herein may be trademarks of their respective companies.

Safety Notes



- This product is not intended for permanent installation.
- Always connect the product to a grounded circuit to avoid the risk of electrocution.
- Always disconnect the product from the power source before cleaning or replacing the fuse.
- Avoid direct eye exposure to the light source while the product is on.
- Make sure the power cord is not crimped or damaged.
- Never disconnect the product from power by pulling or tugging on the cord.
- If mounting the product overhead, always secure to a fastening device using a safety cable.
- Make sure there are no flammable materials close to the product when operating.
- Do not touch the product's housing when operating because it may be very hot.



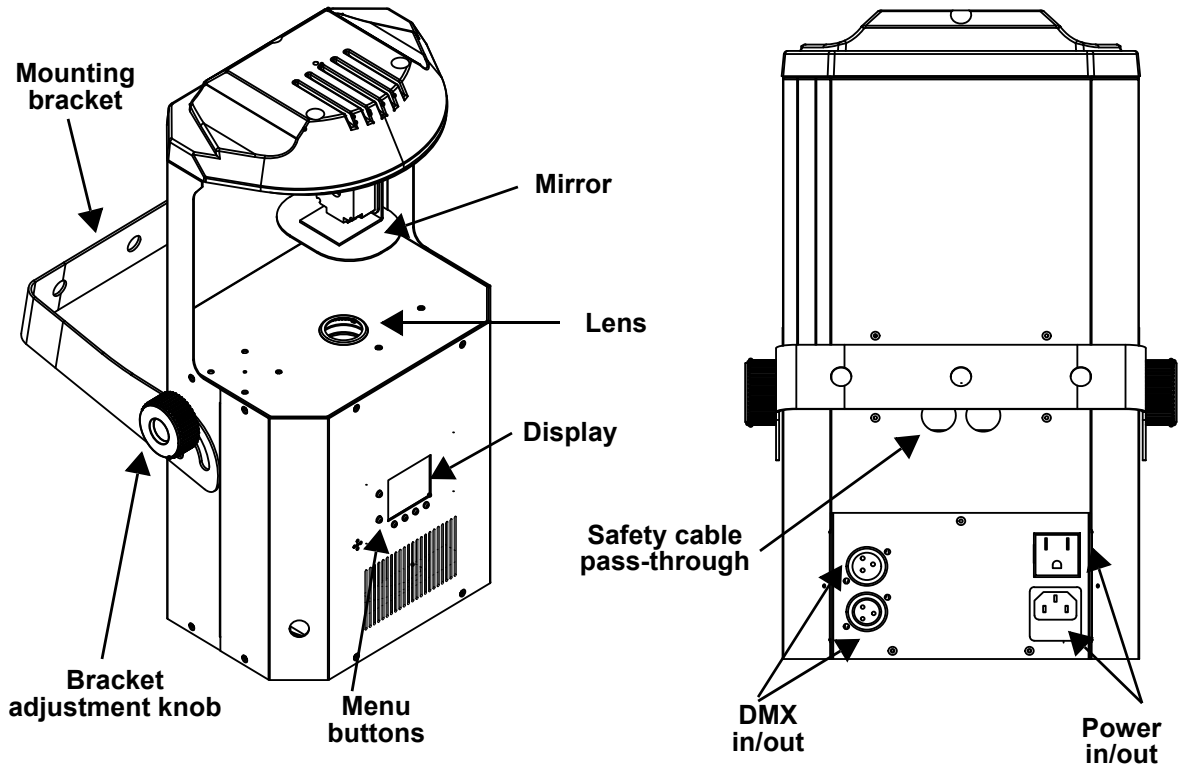
- The voltage of the outlet to which you are connecting this product must be within the range stated on the decal or rear panel of the product.
- The product is for indoor use only! (IP20) To prevent risk of fire or shock, do not expose the product to rain or moisture.
- Always install the product in a location with adequate ventilation, at least 20 in (50 cm) from adjacent surfaces.
- Be sure that no ventilation slots on the product's housing are blocked.
- Never connect the product to a dimmer or rheostat.
- Make sure to replace the fuse with another of the same type and rating.
- Never carry the product from the power cord or any moving part.
- The maximum ambient temperature is 104 °F (40 °C). Do not operate this product at higher temperatures.
- In the event of a serious operating problem, stop using the product immediately.
- Do not open this product. It contains no user-serviceable parts.
- To eliminate unnecessary wear and improve its lifespan, during periods of non-use completely disconnect the product from power via breaker or by unplugging it.



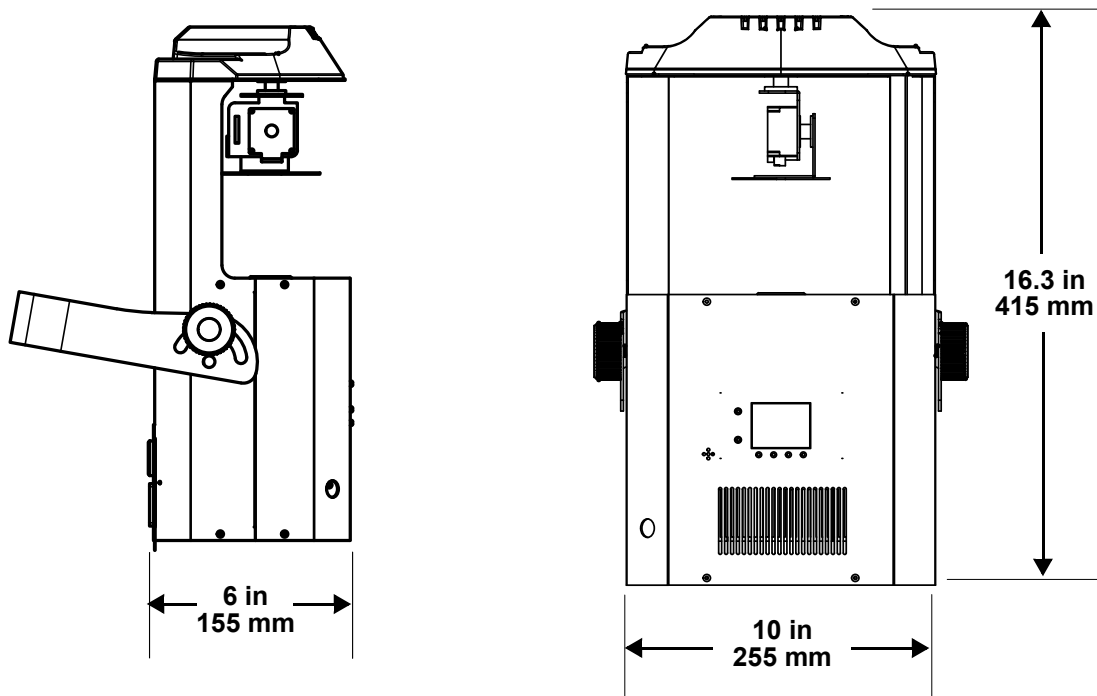
Keep this User Manual for future use. If the product is sold to someone else, be sure that they also receive this document.

2. Introduction

Product Overview



Product Dimensions



3. Setup

AC Power

The Intimidator Scan 360 has an auto-ranging power supply and it can work with an input voltage range of 100 to 240 VAC, 50/60 Hz.

To determine the product's power requirements (circuit breaker, power outlet, and wiring), use the current value listed on the label affixed to the product's back panel, or refer to the product's specifications chart.

The listed current rating indicates the product's average current draw under normal conditions.



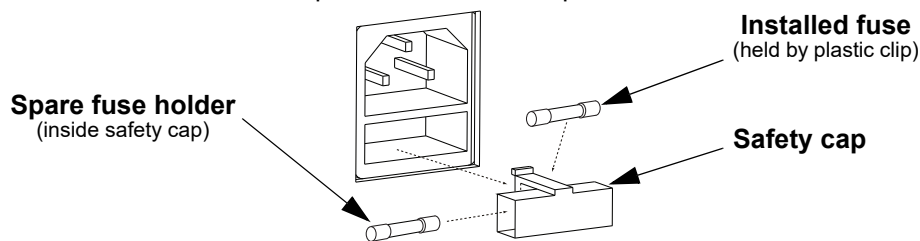
- **Always connect the product to a protected circuit (a circuit breaker or fuse). Make sure the product has an appropriate electrical ground to avoid the risk of electrocution or fire.**
- **To eliminate unnecessary wear and improve its lifespan, during periods of non-use completely disconnect the product from power via breaker or by unplugging it.**



Never connect the product to a rheostat (variable resistor) or dimmer circuit, even if the rheostat or dimmer channel serves only as a 0 to 100% switch.

Fuse Replacement

1. Disconnect the product from power.
2. Wedge the tip of a flat-head screwdriver into the slot of the fuse holder.
3. Pry the fuse holder out of the housing.
4. Remove the blown fuse from the holder and replace with a fuse of the exact same type and rating.
5. Insert the fuse holder back in place and reconnect power.

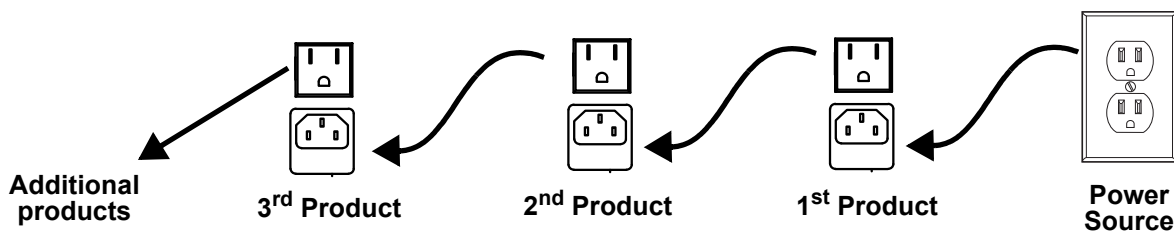


Disconnect the product from the power outlet before replacing the fuse.

Power Linking

The product provides power linking via the outlets located in the back of the product. See the diagram below for further explanation.

Power Linking Diagram



You can power link up to 4 Intimidator Scan 360 products on 120 VAC or up to 7 products on 230 VAC.



The power linking diagram shown above corresponds to the North American version of the product ONLY! If using the product in other markets, you must consult with the local Chauvet distributor as power linking connectors and requirements may differ in your country or region.

Mounting

Before mounting the product, read and follow the safety recommendations indicated in the [Safety Notes](#).

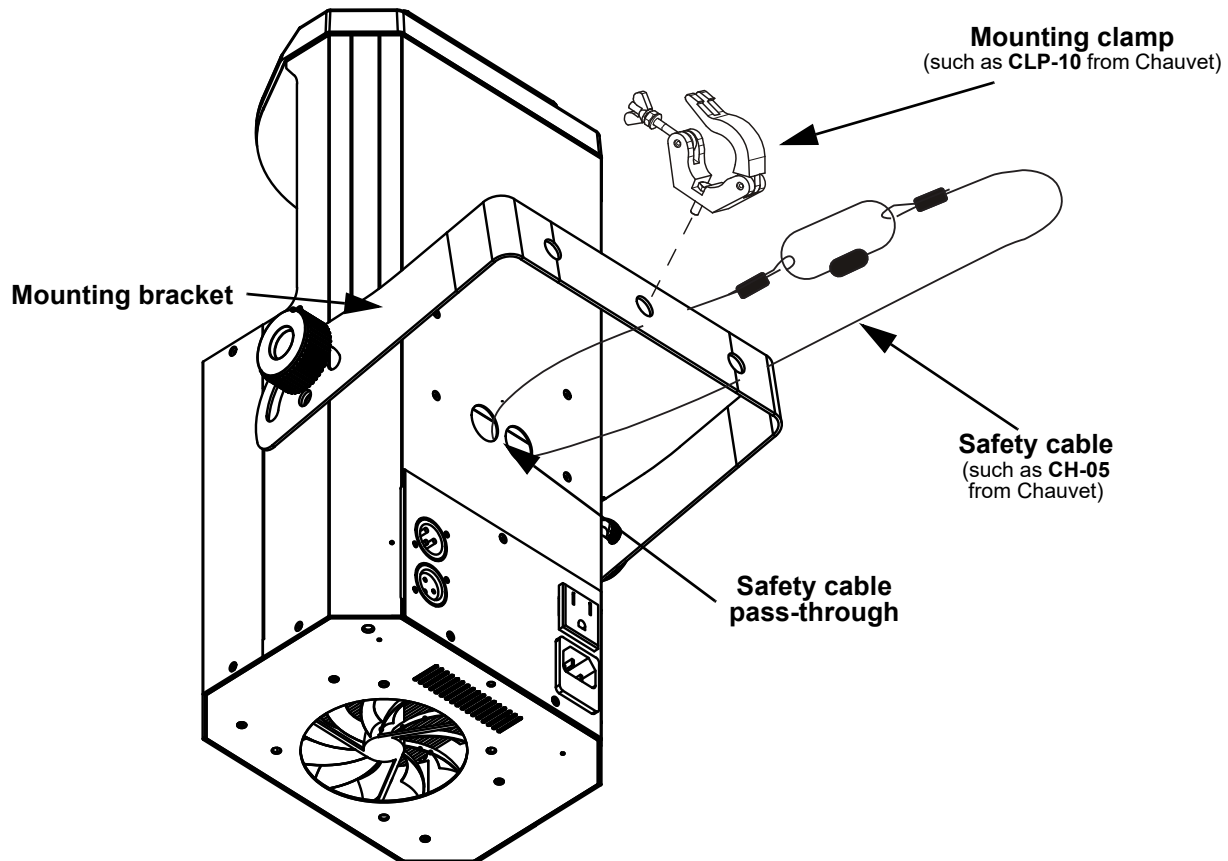
Orientation

The Intimidator Scan 360 may be mounted in any position; however, make sure adequate ventilation is provided around the product.

Rigging

- Before deciding on a location, always make sure there is easy access to the product for maintenance and programming.
- Make sure adequate ventilation is provided around the product.
- Make sure that the structure or surface onto which you are mounting the product can support the product's weight. (see the [Technical Specifications](#))
- When mounting the product overhead, always use a safety cable. Mount the product securely to a rigging point, whether an elevated platform or a truss.
- When rigging the product onto a truss, use a mounting clamp of appropriate weight capacity.
- When power linking multiple products, mount the products close enough for power linking cables to reach.
- The rubber feet also serve as floor supports and allow for surface mounting. When mounting the product on the floor, make sure that the product and cables are away from people and vehicles.

Mounting Diagram



When using only one mounting clamp with this fixture, you must use a clamp with a captive bolt to prevent accidental loosening.

4. Operation

Control Panel Operation

To access the control panel functions, use the four buttons located underneath the display. Please refer to the [Product Overview](#) to see the button locations on the control panel.

Button	Function
<MENU>	Press to find an operation mode or to back out of the current menu option
<UP>	Press to scroll up the list of options or to increase the numeric value in a function
<DOWN>	Press to scroll down the list of options or to decrease the numeric value in a function
<ENTER>	Press to activate a menu option or set the selected value in a function

Menu Map

Refer for the Intimidator Scan 360 product page on www.chauvetdj.com for the latest menu map.

Main Function	Programming Levels		Description	
Address	001–512		Sets the DMX starting address	
Run Mode	DMX	8Ch	Selects DMX mode	
		14Ch		
	Slave	Slave 1–4		Selects slave mode
		Auto		Selects Auto mode
	Sound		Selects Sound-active mode	
	IR		Selects infrared control	
	Manual	Pan	000–255	Controls pan settings
		Tilt		Controls tilt settings
		Color		Selects color options
		Gobo		Selects gobo options
		Gobo Rotate		Controls gobo rotation effects
		Prism		Selects prism effects
Focus		Controls focus		
Dimmer		Sets dimmer value		
Strobe	Controls strobe effects			
Setup	Pan Reverse	OFF	Normal pan operation	
		ON	Reverse pan operation	
	Tilt Reverse	OFF	Normal tilt operation	
		ON	Reverse tilt operation	
	Screen Reverse	OFF	Normal display	
		ON	Reverse display	
	Signal Loss	Blackout	Turns the unit off when DMX signal is lost	
		Hold	Holds the last setting when DMX signal is lost	
		Auto	Sets the unit to Auto mode when signal is lost	
		Sound	Sets the unit to Sound mode when signal is lost	
	Sensitivity	001–100	Sound sensitivity control	
	Indicator	OFF	Turns indicator on or off	
ON				
Flash if DMX	OFF	LED Indicator flashes when DMX is turned ON or OFF		
	ON			
Reset			Revert to factory settings	

Main Function	Programming Levels		Description
Sys Info	Ver	V._.	Displays software version
	Running Mode	-----	Displays current running mode
	DMX Address	---	Displays current DMX mode
	Temperature	---	Displays the product temperature in Celsius

Configuration (DMX)

The Intimidator Scan 360 works with a DMX controller. Information about DMX is in the CHAUVET DMX Primer, which is available from the Chauvet website http://www.chauvetlighting.com/downloads/DMX_Primer_rev05_WO.pdf.

Starting Address

When selecting a starting DMX address, always consider the number of DMX channels the selected DMX mode uses. If the starting address is set too high, access to some of the product's channels could be restricted.

The Intimidator Scan 360 uses up to 11 DMX channels, which defines the highest configurable address to **499**. For information about the DMX protocol, download the DMX Primer from www.chauvetdj.com.

To select the starting address, do the following:

1. Press **<MENU>** repeatedly until **Address** shows on the display.
2. Press **<ENTER>**.
3. Use **<UP>** or **<DOWN>** to select the starting address, from **001–512**.
4. Press **<ENTER>**.

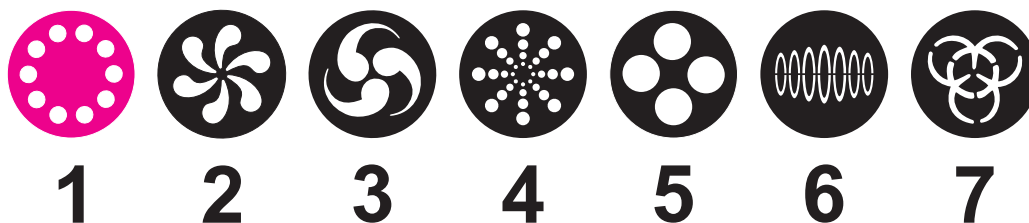
DMX Personalities

The Intimidator Scan 360 has two DMX personalities: an 8-channel personality and a 14-channel personality. To select a DMX personality, follow the instructions below.

1. Press **<MENU>** repeatedly until **Run Mode** shows on the display.
2. Press **<ENTER>**.
3. Use **<UP>** or **<DOWN>** to select **DMX**.
4. Press **<ENTER>**.
5. Use **<UP>** or **<DOWN>** to select the DMX personality, from **14Ch** or **8Ch**.
6. Press **<ENTER>**.

DMX Channel Assignments and Values

Gobos



DMX Values

8Ch	14Ch	Function	Value	Percent/Setting
1	1	Pan	000 ⇄ 255	0–172°
-	2	Fine pan	000 ⇄ 255	Fine control of panning
2	3	Tilt	000 ⇄ 255	0–39°
-	4	Fine tilt	000 ⇄ 255	Fine control of tilting
-	5	Pan/tilt speed	000 ⇄ 255	Fast to slow

8Ch	14Ch	Function	Value	Percent/Setting
3	6	Color	000 ⇔ 006	White
			007 ⇔ 013	Yellow
			014 ⇔ 020	Magenta
			021 ⇔ 027	Green
			028 ⇔ 034	Red
			035 ⇔ 041	Cyan
			042 ⇔ 048	Lime
			049 ⇔ 055	Orange
			056 ⇔ 062	Blue
			063 ⇔ 064	White
			065 ⇔ 189	Split colors
			190 ⇔ 221	Clockwise scroll, fast to slow
			222 ⇔ 223	Stop
224 ⇔ 255	Counterclockwise scroll, slow to fast			
4	7	Gobo wheel (see Gobos)	000 ⇔ 007	Open
			008 ⇔ 015	Gobo 1
			016 ⇔ 023	Gobo 2
			024 ⇔ 031	Gobo 3
			032 ⇔ 039	Gobo 4
			040 ⇔ 047	Gobo 5
			048 ⇔ 055	Gobo 6
			056 ⇔ 063	Gobo 7
			064 ⇔ 071	Gobo 7 shaking, slow to fast
			072 ⇔ 079	Gobo 6 shaking, slow to fast
			080 ⇔ 087	Gobo 5 shaking, slow to fast
			088 ⇔ 095	Gobo 4 shaking, slow to fast
			096 ⇔ 103	Gobo 3 shaking, slow to fast
			104 ⇔ 111	Gobo 2 shaking, slow to fast
			112 ⇔ 119	Gobo 1 shaking, slow to fast
			120 ⇔ 127	Open
			128 ⇔ 189	Clockwise rotation, fast to slow
190 ⇔ 193	Stop			
194 ⇔ 255	Counterclockwise rotation, slow to fast			
5	8	Gobo rotation	000 ⇔ 063	Gobo index
			064 ⇔ 145	Clockwise rotation, slow to fast
			146 ⇔ 149	Stop
			150 ⇔ 231	Counterclockwise rotation, slow to fast
			232 ⇔ 255	Gobo boomerang
6	9	Prism	000 ⇔ 015	No function
			016 ⇔ 127	Prism on (static)
			128 ⇔ 255	Clockwise rotation, slow to fast
7	10	Focus	000 ⇔ 255	0–100%
-	11	Dimmer	000 ⇔ 255	0–100%

8Ch	14Ch	Function	Value	Percent/Setting
8	12	Strobe	000 ⇔ 003	No function
			004 ⇔ 007	Open
			008 ⇔ 076	Synchronized strobe, slow to fast
			077 ⇔ 145	Pulse strobe, slow to fast
			146 ⇔ 215	Random strobe, slow to fast
			216 ⇔ 255	Open
-	13	Functions	000 ⇔ 007	No function
			008 ⇔ 015	Blackout on pan/tilt movement
			016 ⇔ 023	Blackout on color wheel movement
			024 ⇔ 031	Blackout on gobo wheel movement
			032 ⇔ 039	Blackout on pan/tilt/color wheel movement
			040 ⇔ 047	Blackout on pan/tilt/gobo wheel movement
			048 ⇔ 055	Blackout on pan/tilt/color wheel/gobo wheel movement
			056 ⇔ 095	No function
			096 ⇔ 103	Pan reset
			104 ⇔ 111	Tilt reset
			112 ⇔ 119	Color reset
			120 ⇔ 127	Gobo reset
			128 ⇔ 135	No function
			136 ⇔ 143	Prism reset
			144 ⇔ 151	Focus reset
152 ⇔ 159	All reset			
160 ⇔ 255	No function			
-	14	Movement macros	000 ⇔ 007	No function
			008 ⇔ 023	Movement macro 1
			024 ⇔ 039	Movement macro 2
			040 ⇔ 055	Movement macro 3
			056 ⇔ 071	Movement macro 4
			072 ⇔ 087	Movement macro 5
			088 ⇔ 103	Movement macro 6
			104 ⇔ 119	Movement macro 7
			120 ⇔ 135	Movement macro 8
			136 ⇔ 151	Sound-active movement macro 1
			152 ⇔ 167	Sound-active movement macro 2
			168 ⇔ 183	Sound-active movement macro 3
			184 ⇔ 199	Sound-active movement macro 4
			200 ⇔ 215	Sound-active movement macro 5
			216 ⇔ 231	Sound-active movement macro 6
			232 ⇔ 247	Sound-active movement macro 7
248 ⇔ 255	Sound-active movement macro 8			

Configuration (Standalone)

Set the product in one of the standalone modes to control without a DMX controller.



Never connect a product that is operating in any standalone mode to a DMX string connected to a DMX controller. Products in standalone mode may transmit DMX signals that could interfere with the DMX signals from the controller.

Automatic Programs

To run the Intimidator Scan 360 in automatic mode, follow the instructions below:

1. Press **<MENU>** repeatedly until **Run Mode** shows on the display.
2. Press **<ENTER>**.
3. Use **<UP>** or **<DOWN>** to select **Auto**.
4. Press **<ENTER>**.

Sound-Active Mode

To run the Intimidator Scan 360 in sound-active mode, do the following:

1. Press **<MENU>** repeatedly until **Run Mode** shows on the display.
2. Press **<ENTER>**.
3. Use **<UP>** or **<DOWN>** to select **Sound**.
4. Press **<ENTER>**.

Sound Sensitivity

To set the sound sensitivity on the Intimidator Scan 360, follow the instructions below:

1. Press **<MENU>** repeatedly until **Setup** shows on the display.
2. Press **<ENTER>**.
3. Use **<UP>** or **<DOWN>** to select **Sound Sensitivity**.
4. Press **<ENTER>**.
5. Use **<UP>** or **<DOWN>** to increase or decrease the sound sensitivity, from **001–100**.
6. Press **<ENTER>**.



The product will only respond to low frequencies of music (bass and drums).

Manual Mode

To operate the Intimidator Scan 360 manually through the menu, do the following:

1. Press **<MENU>** repeatedly until **Run Mode** shows on the display.
2. Press **<ENTER>**.
3. Use **<UP>** or **<DOWN>** to select **Manual**.
4. Press **<ENTER>**.
5. Use **<UP>** or **<DOWN>** to select from **Pan, Tilt, Color, Gobo, Gobo Rotate, Prism, Focus, Dimmer, or Strobe**.
6. Press **<ENTER>**.
7. Use **<UP>** or **<DOWN>** to increase or decrease the value of the function, from **000–255**.
8. Press **<ENTER>**.
9. Repeat steps 3-6 until the product is set as desired.

Configuration (Settings)

Pan Reverse

To set the pan orientation on the Intimidator Scan 360, follow the instructions below:

1. Press **<MENU>** repeatedly until **Setup** shows on the display.
2. Press **<ENTER>**.
3. Press **<MENU>** repeatedly until **Pan Reverse** shows on the display.
4. Press **<ENTER>**.
5. Use **<UP>** or **<DOWN>** to select **OFF** (normal pan orientation) or **ON** (reverse pan orientation).
6. Press **<ENTER>**.

Tilt Reverse

To set the tilt orientation on the Intimidator Scan 360, do the following:

1. Press **<MENU>** repeatedly until **Setup** shows on the display.
2. Press **<ENTER>**.
3. Press **<MENU>** repeatedly until **Tilt Reverse** shows on the display.
4. Press **<ENTER>**.
5. Use **<UP>** or **<DOWN>** to select **OFF** (normal tilt orientation) or **ON** (reverse tilt orientation).
6. Press **<ENTER>**.

Screen Reverse

To set the screen display on the Intimidator Scan 360, follow the instructions below:

1. Press **<MENU>** repeatedly until **Setup** shows on the display.
2. Press **<ENTER>**.
3. Press **<MENU>** repeatedly until **Screen Reverse** shows on the display.
4. Press **<ENTER>**.
5. Use **<UP>** or **<DOWN>** to select **OFF** (normal screen display) or **ON** (reverse screen display).
6. Press **<ENTER>**.

Signal Loss

To set the action that the Intimidator Scan 360 does once DMX signal is lost, follow the instructions below:

1. Press **<MENU>** repeatedly until **Setup** shows on the display.
2. Press **<ENTER>**.
3. Press **<MENU>** repeatedly until **Signal Loss** shows on the display.
4. Press **<ENTER>**.
5. Use **<UP>** or **<DOWN>** to select **Blackout** (turns the unit off), **Hold** (retains the last setting), **Auto** (sets the unit to Auto mode), or **Sound** (sets the unit to Sound mode).
6. Press **<ENTER>**.

Indicator

To enable or disable the LED indicator, do the following:

1. Press **<MENU>**.
2. Use **<UP>** or **<DOWN>** to select **Setup**.
3. Press **<ENTER>**.
4. Use **<UP>** or **<DOWN>** to select **Indicator**.
5. Press **<ENTER>**.
6. Use **<UP>** or **<DOWN>** to select **OFF** (disabled) or **ON** (enabled).
7. Press **<ENTER>**.

Flash if DMX

To enable or disable the LED indicator flashing to indicate DMX, do the following:

1. Press **<MENU>**.
2. Use **<UP>** or **<DOWN>** to select **Setup**.
3. Press **<ENTER>**.
4. Use **<UP>** or **<DOWN>** to select **Flash if DMX**.
5. Press **<ENTER>**.
6. Use **<UP>** or **<DOWN>** to select **OFF** (will not indicate DMX) or **ON** (will indicate DMX).
7. Press **<ENTER>**.

Factory Reset

To restore the Intimidator Scan 360 to factory default settings, follow the instructions below:

1. Press **<MENU>** repeatedly until **Setup** shows on the display.
2. Press **<ENTER>**.
3. Select **Reset** to revert the fixture to its default factory settings.
4. Press **<ENTER>**.

System Information

To view the system information on the Intimidator Scan 360, do the following:

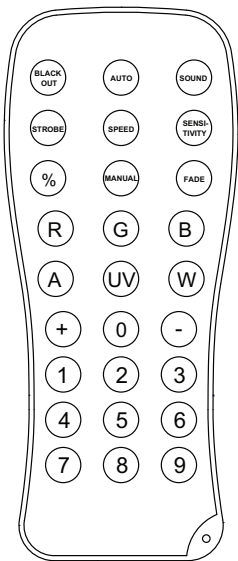
1. Press **<MENU>**.
2. Use **<UP>** or **<DOWN>** to select **Sys Info**.
3. Press **<ENTER>**.
4. Select **Ver** (displays the fixture's software version), **Running Mode** (displays the current running mode), **DMX Address** (displays the current DMX mode), and **Temperature** (displays the fixture's current temperature in Celsius).

IRC-6 Infrared Remote Control

The Intimidator Scan 360 is compatible with the IRC-6 infrared remote control from Chauvet. To set the Intimidator Scan 360 to IR mode, follow the instructions below:

1. Press **<MENU>** repeatedly until **Run Mode** shows on the display.
2. Press **<ENTER>**.
3. Press **<UP>** or **<DOWN>** to select **IR**.
4. Press **<ENTER>**.

IRC-6 Operation



Automatic Mode

Automatic mode will enable you to run the automatic programs on the product.

To turn on Automatic mode:

- Press **<AUTO>** on the IRC-6.

To adjust the speed of the automatic program:

1. Press **<SPEED>** on the IRC-6.
2. Press **<+>** or **<->** to increase or decrease the speed of the program.

Sound-Active Mode

Sound-Active mode will enable the product to respond to the music.

To turn on Sound-Active mode:

- Press **<SOUND>** on the IRC-6.

Sound Sensitivity

- To adjust the fixture's sensitivity to sound:

1. Press **<SENSITIVITY>** on the IRC-6.
2. Press **<+>** or **<->** to increase or decrease the sound sensitivity.

To set all LEDs to full intensity:

- Press **<0>** on the IRC-6.

Miscellaneous Operation

To adjust the output level of the LEDs in manual color mode:

- Press **<%>** repeatedly on the IRC-6.

To black out the lights:

- Press **<BLACK OUT>** on the IRC-6.

This will turn off all the lights until the button is pressed again.

NOTE: The IRC-6 will not respond to any inputs when Black Out is activated. If the remote does not respond when a button is pressed, try pressing **<BLACK OUT>**. You may have inadvertently activated Black Out.

Master/Slave Mode

The Master/Slave mode allows a single Intimidator Scan 360 product (the “master”) to control the actions of one or more Intimidator Scan 360 products (the “slaves”) without the need of a DMX controller. The master product will be set to operate in either standalone mode or with the IRC-6, while the slave products will be set to operate in slave mode. Once set and connected, the slave products will operate in unison with the master product.

Configure the products as indicated below.

Slave products:

1. Press **<MENU>**.
2. Use **<UP>** or **<DOWN>** to select **Run Mode**.
3. Press **<ENTER>**.
4. Use **<UP>** or **<DOWN>** to select **Slave**.
5. Press **<ENTER>**.
6. Use **<UP>** or **<DOWN>** to select from **Slave1**, **Slave2**, **Slave3**, or **Slave4**.
 - Select **Slave1** for 100% synchronized actions.
 - Select **Slave2**, **Slave3**, and/or **Slave4** for delayed actions, creating a wave effect.
7. Press **<ENTER>**.
8. Connect the DMX input of the first slave product to the DMX output of the master product.
9. Connect the DMX input of the subsequent slave products to the DMX output of the previous slave product.
10. Finish setting and connecting all the slave products.

Master product:

1. Set the master product to operate in standalone mode.
2. Make the master product the first product in the DMX daisy chain.



- **Configure all the slave products before connecting the master to the daisy chain.**
- **Never connect a DMX controller to a DMX string configured for Master/Slave operation because the controller may interfere with the signals from the master.**
- **Do not connect more than 31 slaves to the master.**

5. Maintenance

Product Maintenance

Dust build-up reduces light output performance and can cause overheating. This can lead to reduction of the light source's life and/or mechanical wear. To maintain optimum performance and minimize wear, clean your lighting products at least twice a month. However, be aware that usage and environmental conditions could be contributing factors to increase the cleaning frequency.

To clean the product, follow the instructions below:

1. Unplug the product from power.
2. Wait until the product is at room temperature.
3. Use a vacuum (or dry compressed air) and a soft brush to remove dust collected on the external surface/vents.
4. Clean all transparent surfaces with a mild soap solution, ammonia-free glass cleaner, or isopropyl alcohol.
5. Apply the solution directly to a soft, lint free cotton cloth or a lens cleaning tissue.
6. Softly drag any dirt or grime to the outside of the transparent surface.
7. Gently polish the transparent surfaces until they are free of haze and lint.



Always dry the transparent surfaces carefully after cleaning them.



Do not spin the cooling fans using compressed air because they could be damaged.

6. Technical Specifications

Dimensions and Weight

Length	Width	Height	Weight
10 in (255 mm)	6 in (155 mm)	16.3 in (415 mm)	12.6 lb (5.7 kg)

Note: Dimensions in inches rounded to the nearest decimal digit.

Power

Power Supply Type	Range	Voltage Selection
Switching (internal)	100 to 240 VAC, 50/60 Hz	Auto-ranging
Parameter	120 V, 60 Hz	230 V, 50 Hz
Consumption	147 W	143 W
Operating current	1.9 A	1.1 A
Power linking	8 A (4 products)	8 A (7 products)
Fuse	F 3 A, 250 V	F 3 A, 250 V
Power I/O	U.S./Worldwide	UK/Europe
Power input connector	IEC	IEC
Power cord plug	Edison (U.S.)	Local plug

Light Source

Type	Color	Quantity	Power	Current	Lifespan
LED	White	1	100 W	4.2 A	50,000 hours

Photometrics

Strobe Rate	Beam Angle	Illuminance @ 2 m
0 to 20 Hz	2°	4,050 lux

Thermal

Maximum External Temperature	Cooling System
104 °F (40 °C)	Fan-assisted convection

DMX

I/O Connector	Channel Range
3-pin XLR	8 or 14

Ordering

Product Name	Item Code	UPC Number
Intimidator Scan 360	07021724	781462220723



Returns

In case you need to get support or return a product:

- If you are located in the U.S., contact Chauvet World Headquarters.
- If you are located in the U.K. or Ireland, contact Chauvet Europe Ltd.
- If you are located in Benelux, contact Chauvet Europe BVBA.
- If you are located in France, contact Chauvet France.
- If you are located in Germany, contact Chauvet Germany.
- If you are located in Mexico, contact Chauvet Mexico.
- If you are located in any other country, DO NOT contact Chauvet. Instead, contact your local distributor. See www.chauvetdj.com for distributors outside the U.S., U.K., Ireland, Benelux, France, Germany, or Mexico.



If you are located outside the U.S., UK, Ireland, Benelux, France, Germany, or Mexico, contact your distributor of record and follow their instructions on how to return Chauvet products to them. Visit our website www.chauvetdj.com for contact details.

Call the corresponding Chauvet Technical Support office and request a Return Merchandise Authorization (RMA) number before shipping the product. Be prepared to provide the model number, serial number, and a brief description of the cause for the return.

To submit a service request online, go to www.chauvetdj.com/service-request.

Send the merchandise prepaid, in its original box, and with its original packing and accessories. Chauvet will not issue call tags.

Clearly label the package with the RMA number. Chauvet will refuse any product returned without an RMA number.



Write the RMA number on a properly affixed label. DO NOT write the RMA number directly on the box.

Before sending the product, clearly write the following information on a piece of paper and place it inside the box:

- Your name
- Your address
- Your phone number
- RMA number
- A brief description of the problem

Be sure to pack the product properly. Any shipping damage resulting from inadequate packaging will be your responsibility. FedEx packing or double-boxing are recommended.



Chauvet reserves the right to use its own discretion to repair or replace returned product(s).

Contact Us

General Information	Technical Support
Chauvet World Headquarters	
Address: 5200 NW 108th Ave. Sunrise, FL 33351 Voice: (954) 577-4455 Fax: (954) 929-5560 Toll Free: (800) 762-1084	Voice: (844) 393-7575 Fax: (954) 756-8015 Email: chauvetcs@chauvetlighting.com Website: www.chauvetdj.com
Chauvet Europe Ltd	
Address: Unit 1C Brookhill Road Industrial Estate Pinxton, Nottingham, UK NG16 6NT Voice: +44 (0) 1773 511115 Fax: +44 (0) 1773 511110	Email: UKtech@chauvetlighting.eu Website: www.chauvetdj.eu
Chauvet Europe BVBA	
Address: Stokstraat 18 9770 Kruishoutem Belgium Voice: +32 9 388 93 97	Email: BNLtech@chauvetlighting.eu Website: www.chauvetdj.eu
Chauvet France	
Address: 3, Rue Ampère 91380 Chilly-Mazarin France Voice: +33 1 78 85 33 59	Email: FRtech@chauvetlighting.fr Website: www.chauvetdj.eu
Chauvet Germany	
Address: Bruno-Bürgel-Str. 11 28759 Bremen Germany Voice: +49 421 62 60 20	Email: DEtech@chauvetlighting.de Website: www.chauvetdj.eu
Chauvet Mexico	
Address: Av. de las Partidas 34 - 3B (Entrance by Calle 2) Zona Industrial Lerma Lerma, Edo. de México, CP 52000 Voice: +52 (728) 690-2010	Email: servicio@chauvet.com.mx Website: www.chauvetdj.mx

Outside the U.S., U.K., Ireland, Benelux, France, Germany, or Mexico, contact the dealer of record. Follow the instructions to request support or to return a product. Visit our website for contact details.