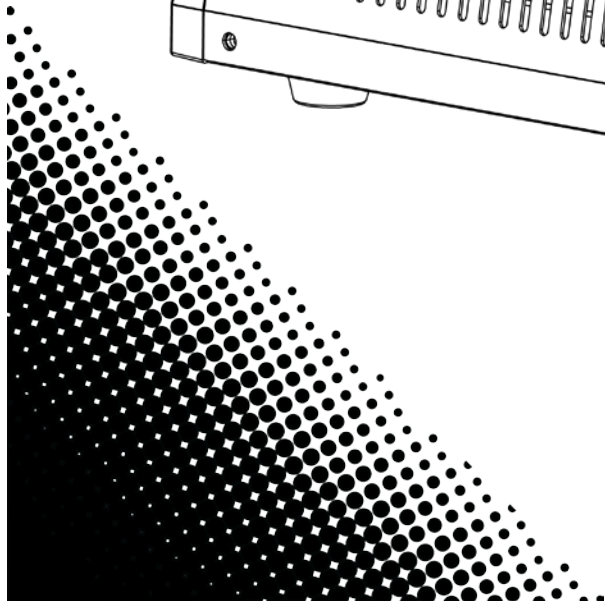
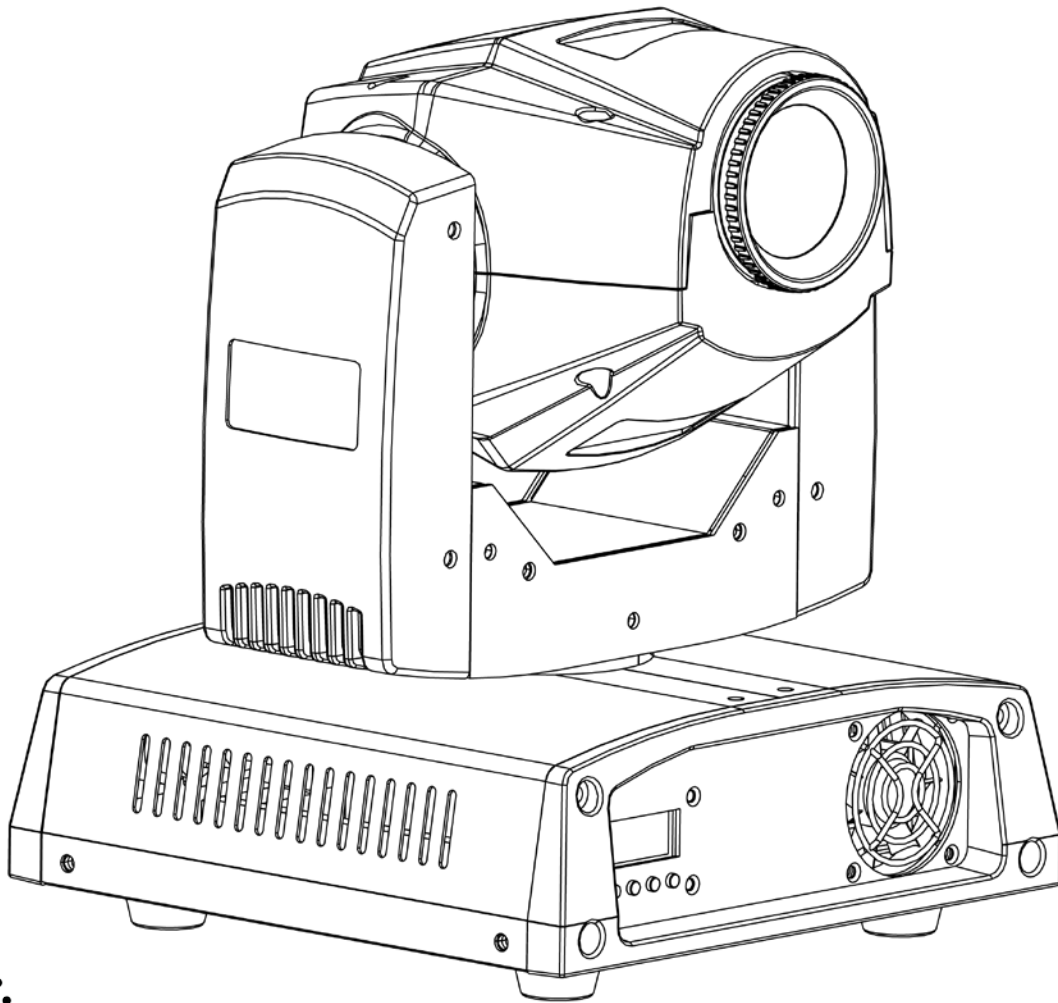


INTIMIDATOR™

SPOT LED 150

User Manual



CHAUVET[®]**3**
It's **Green** Thinking.™

TABLE OF CONTENTS

1. Before You Begin	3
What Is Included	3
Unpacking Instructions	3
Claims	3
Text Conventions	3
Symbols	3
Disclaimer	3
Product at a Glance	4
Safety Notes	4
2. Introduction	5
Product Overview	5
Product Dimensions	6
3. Setup	7
AC Power	7
Fuse Replacement	7
Power Linking	7
Mounting	8
Orientation	8
Rigging	8
4. Operation	9
Control Panel Operation	9
Menu Map	9
Configuration (DMX)	10
Starting Address	10
DMX Personalities	10
DMX Channel Assignments and Values	11
11-CH	11
6-CH	13
Configuration (Standalone)	14
Sound-Active Mode	14
Automatic Mode	14
Manual Pan/Tilt Operation	14
Pan/Tilt Angle Range	14
Display Orientation	15
Master/Slave Mode	15
Reset Software	15
5. Technical Information	16
Product Maintenance	16
6. Technical Specifications	17
Returns	Error! Bookmark not defined.
Contact Us	Error! Bookmark not defined.

1. BEFORE YOU BEGIN

What Is Included

- Intimidator™ Spot LED 150
- Hanging Bracket with Mounting Hardware
- Power Cord
- Warranty Card
- Quick Reference Guide

Unpacking Instructions

Immediately upon receipt, carefully unpack the product and check the container to make sure you have received all the parts indicated above in good condition.

Claims




If the container or the material inside the container (the product and included accessories) appear damaged from shipping, or show signs of mishandling, upon receipt notify the carrier immediately, not Chauvet. Failure to do so in a timely manner may invalidate your claim with the carrier. In addition, keep the container and all the packing material for inspection.

For other issues such as missing components or parts, damage not related to shipping, or concealed damage, file a claim with Chauvet within 7 days of receiving the merchandise.

Text Conventions

Convention	Meaning
1–512	A range of values
50/60	A set of values of which only one can be chosen
Settings	A menu option not to be modified
Menu > Settings	A sequence of menu options to be followed
<ENTER>	A key to be pressed on the product's control panel
ON	A value to be entered or selected

Symbols

Symbol	Meaning
	Critical installation, configuration, or operation information. Failure to comply could make the product not work, damage it, and harm the user.
	Important installation or configuration information. Failure to comply with this information may prevent the product from functioning correctly.
	Useful information.

Disclaimer

The information and specifications contained in this document are subject to change without notice. Chauvet assumes no responsibility or liability for any errors or omissions that may appear in this manual. Chauvet reserves the right to update the existing document or to create a new document to correct any errors or omissions.

You can download the latest version of this document from www.chauvetlighting.com.

© Copyright 2015 Chauvet. All rights reserved.

Printed in P.R.C. Electronically published by Chauvet in the United States of America.

Author	Date	Editor	Date
R. Isenstadt	02/23/15	A. Leon	02/25/15

Product at a Glance

Use on Dimmer	X	Auto Programs	P
Outdoor Use	X	Auto-ranging Power Supply	P
Sound-Activated	P	Replaceable Fuse	P
DMX	P	User-Serviceable	X
Master/Slave	P	Duty Cycle	X

Safety Notes

Please read the following Safety Notes carefully before working with the product. The Notes include important safety information about installation, usage, and maintenance.



- This product is not intended for permanent installation.
- Always connect the product to a grounded circuit to avoid the risk of electrocution.
- Always disconnect the product from the power source before cleaning or replacing the fuse.
- Avoid direct eye exposure to the light source while the product is on.
- Make sure the power cord is not crimped or damaged.
- Never disconnect the product from power cord by pulling or tugging on the cord.
- If mounting the product overhead, always secure to a fastening device using a safety cable.
- Make sure there are no flammable materials close to the product when operating.
- Do not touch the product's housing when operating because it may be very hot.



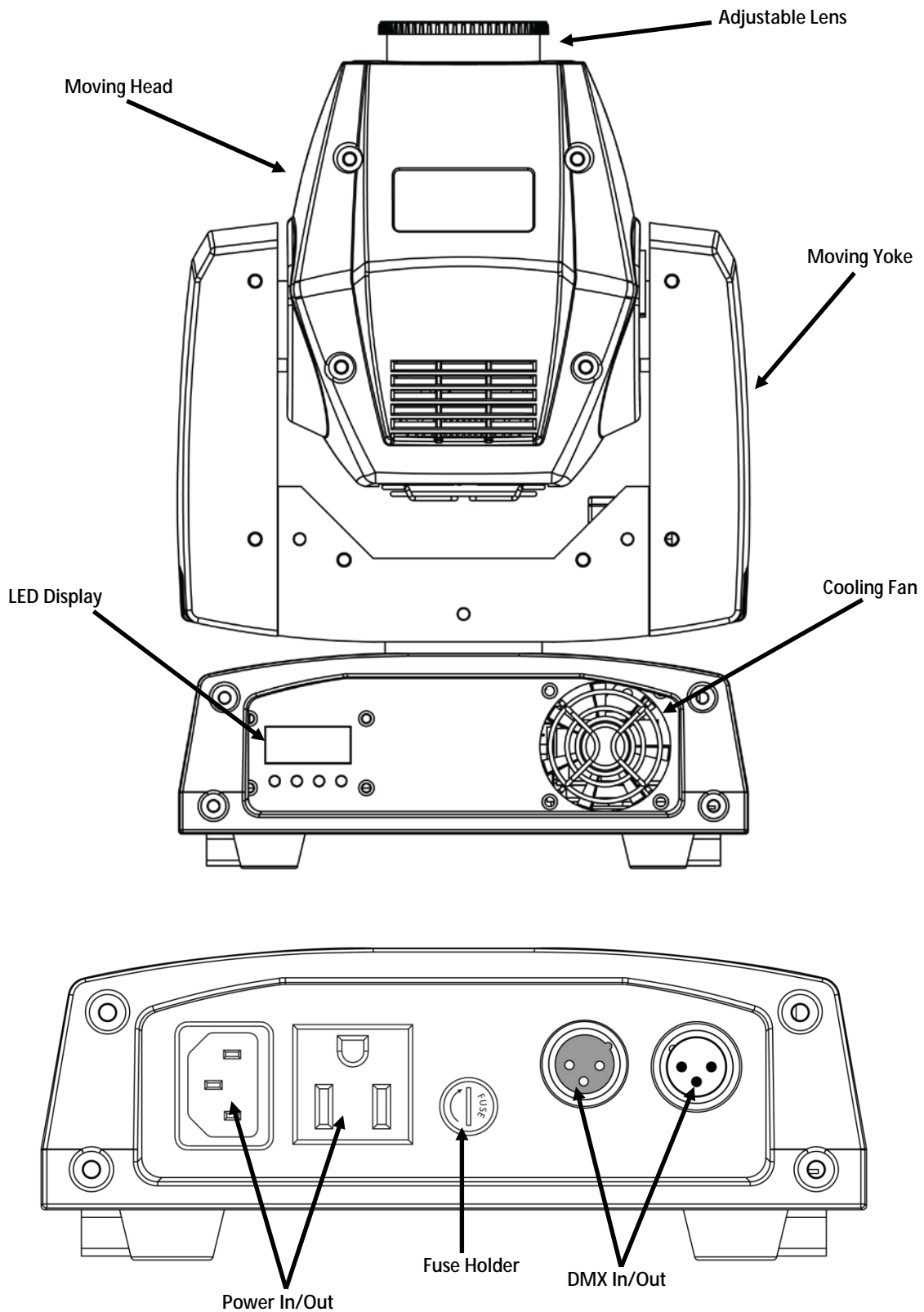
- Always make sure that the voltage of the outlet to which you are connecting the product is within the range stated on the decal or rear panel of the product.
- The product is for indoor use only! (IP20) To prevent risk of fire or shock, do not expose the product to rain or moisture.
- Always install the product in a location with adequate ventilation, at least 20 in (50 cm) from adjacent surfaces.
- Be sure that no ventilation slots on the product's housing are blocked.
- Never connect the product to a dimmer.
- Make sure to replace the fuse with another of the same type and rating.
- Never carry the product from the power cord or any moving part. Always use the hanging/mounting bracket or the handles.
- The maximum ambient temperature (Ta) is 104 °F (40 °C). Do not operate the product at higher temperatures.
- In the event of a serious operating problem, stop using the product immediately.
- Never try to repair the product. Repairs carried out by unskilled people can lead to damage or malfunction. Please contact the nearest authorized technical assistance center.
- To eliminate wear and improve its lifespan, during periods of non-use completely disconnect from power via breaker or by unplugging it.



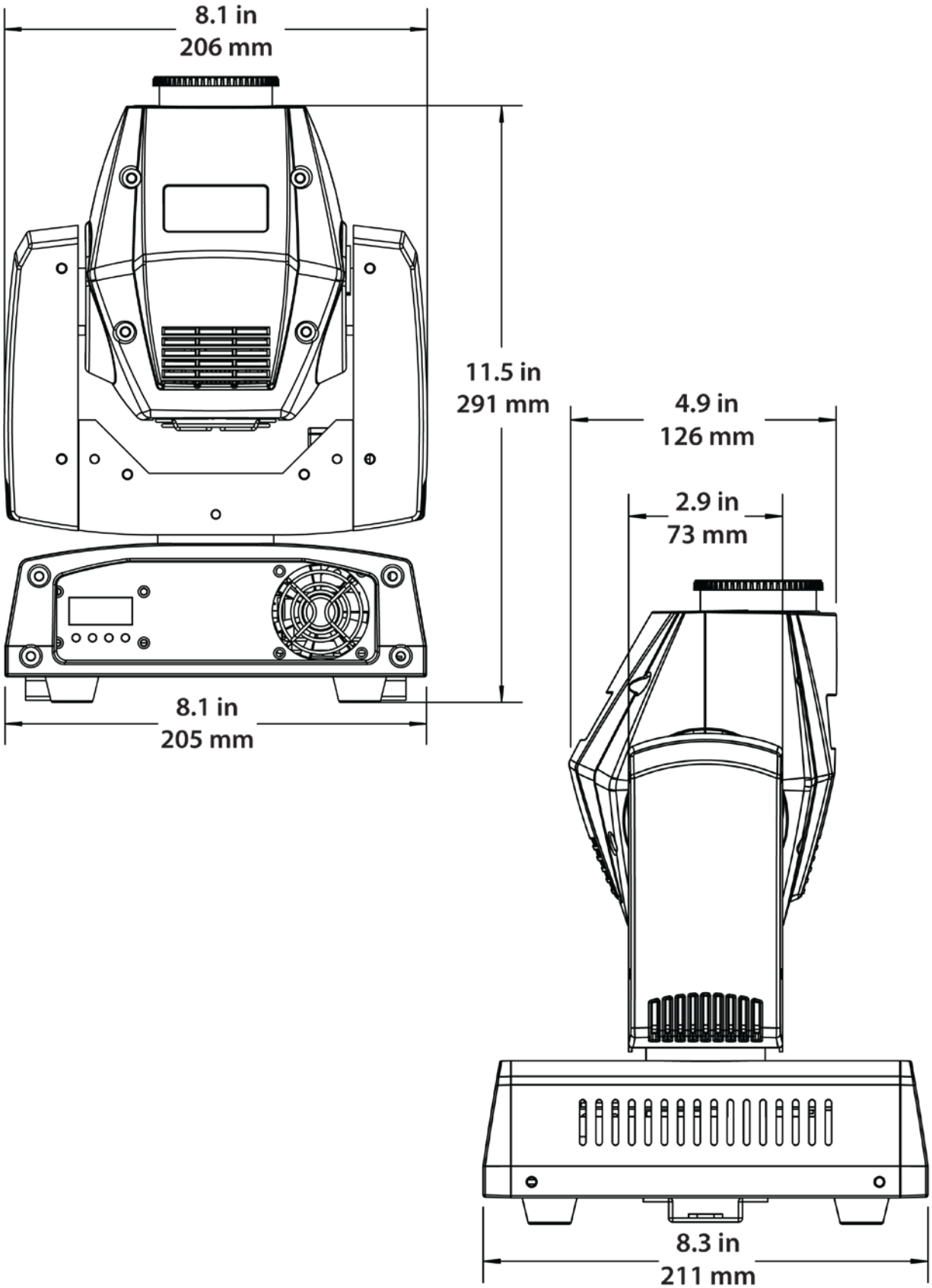
Keep this User Manual. If you sell the product to another user, be sure that they also receive this document.

2. INTRODUCTION

Product Overview



Product Dimensions



3. SETUP

AC Power The Intimidator™ Spot LED 150 has an auto-ranging power supply and it can work with an input voltage range of 100–240 VAC, 50/60 Hz.

To determine the product's power requirements (circuit breaker, power outlet, and wiring), use the current value listed on the label affixed to the product's back panel, or refer to the product's specifications chart. The listed current rating indicates the product's average current draw under normal conditions.



- **Always connect the product to a protected circuit (circuit breaker or fuse). Make sure the product has an appropriate electrical ground to avoid the risk of electrocution or fire.**
- **To eliminate wear and improve its lifespan, during periods of non-use completely disconnect from power via breaker or by unplugging it.**



Never connect the product to a rheostat (variable resistor) or dimmer circuit, even if the rheostat or dimmer channel serves only as a 0–100% switch.

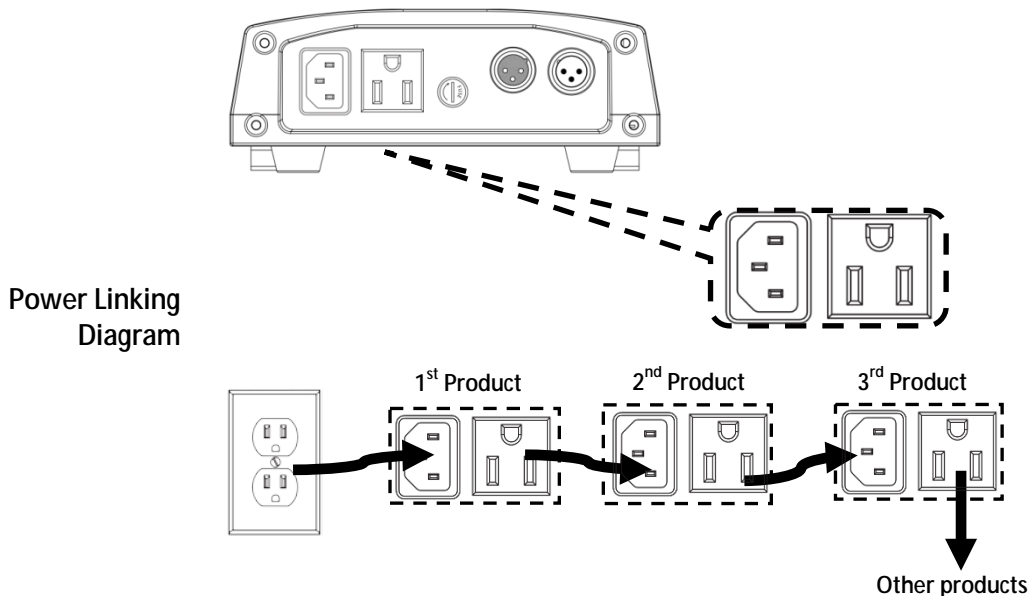


Disconnect the product from power before replacing the fuse.

Fuse Replacement

1. Using a flat-head screwdriver, unscrew the fuse holder from the back of the product.
2. Remove the blown fuse from the holder and replace with a fuse of the exact same type and rating.
3. Insert the fuse holder back in place, re-tighten, and reconnect power.

Power Linking The product provides power linking via the Edison outlet located in the back of the unit. Please see the diagram below for further explanation.



You can power link up to 6 Intimidator™ Spot LED 150 units on 120 VAC or up to 12 Intimidator™ Spot LED 150 units on 230 VAC.



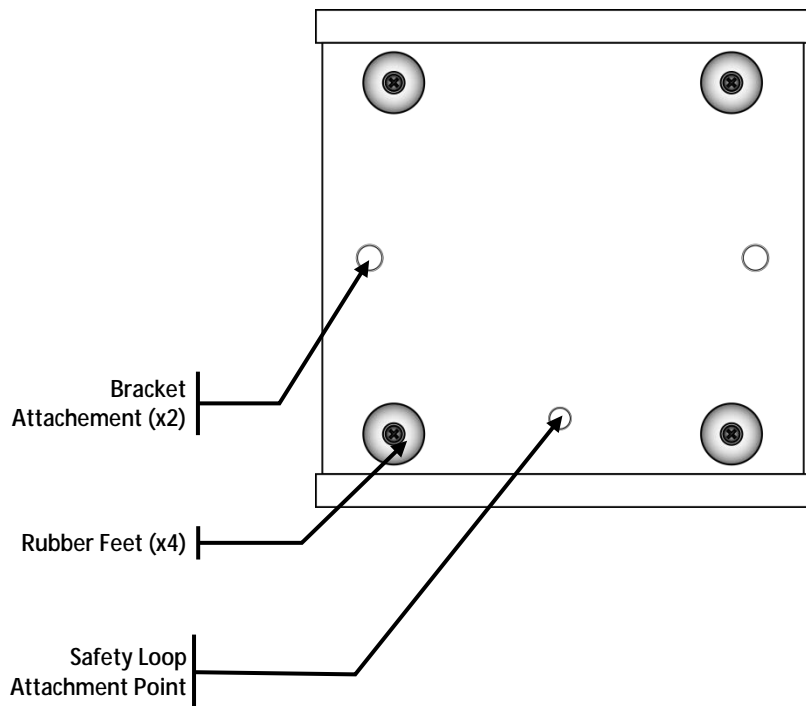
The power linking diagram shown above corresponds to the North American version of the product ONLY! If using the product in other markets, you must consult with the local Chauvet distributor as power linking connectors and requirements may differ in your area.

Mounting Before mounting the product, read and follow the [Safety Notes](#).

Orientation The Intimidator™ Spot LED 150 may be mounted in any position; however, make sure adequate ventilation is provided around the product.

- Rigging**
- Before deciding on a location, always make sure there is easy access to the product for maintenance and programming purposes.
 - Make sure that the structure or surface onto which you are mounting the product can support the product's weight. See the [Technical Specifications](#) section of this manual for weight information.
 - When mounting the product overhead, always use a safety cable. Mount the product securely to a rigging point, whether an elevated platform or a truss.
 - When rigging the product onto a truss, you should use a mounting clamp of appropriate weight capacity. The bracket has 13-mm holes, which are appropriate for this purpose.
 - When power linking multiple products, you must always consider the length of the power linking cable and mount the products close enough for the cable to reach.
 - The rubber feet also serve as floor supports/allow for surface mounting. When mounting the product on the floor, make sure that the product and cables are away from people and vehicles.

Mounting Diagram

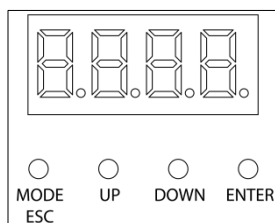


When using only one mounting clamp with this fixture, you must use a clamp with a captive bolt to prevent accidental loosening.

4. OPERATION

Control Panel Operation

To access the control panel functions, use the four buttons located underneath the display.



Button	Function
<MODE/ESC>	Press to find an operation mode or to back out of the current menu option
<UP>	Press to scroll up the list of options or to find a higher value
<DOWN>	Press to scroll down the list of options or to find a lower value
<ENTER>	Press to activate a menu option or a selected value

Menu Map

Mode	Programming Steps		Description
DMX Mode	001-512		Sets the DMX starting address
Operating Mode	SLAv (Son)		Slave operating mode
	NASL (SLoU)		Automatic mode, slow program
	NAFA (FASt)		Automatic mode, fast program
	NStS (SrUn)		Sound-Active mode
Pan	Normal Pan	PAn	Normal Pan operation
	Inverse Pan	r PAn	Inverse Pan operation
Tilt	Normal Tilt	tiL	Normal Tilt operation
	Inverse Tilt	r tiL	Inverse Tilt operation
Display	Normal Display	diS	Change the LCD display text position
	Inverse Display	r diS	
Channel Mode	11-Channel Mode	11CH	Selects the DMX personality
	6-Channel Mode	6CH	
Manual Pan Range	Pan 540	PA54	Select Pan angle range
	Pan 360	PA36	
	Pan 180	PA18	
Manual Tilt Range	Tilt 270	Ti27	Select Tilt angle range
	Tilt 180	Ti18	
	Tilt 90	Ti 9	
Reset	rESt		Resets fixture
Load	LoAd		Load factory defaults

Configuration (DMX)

Set the product in DMX mode to control with a DMX controller.

1. Connect the product to a suitable power outlet.
2. Connect a DMX cable from the DMX output of the DMX controller to the DMX input socket on the product.

Starting Address

When selecting a starting DMX address, always consider the number of DMX channels the selected DMX mode uses. If you choose a starting address that is too high, you could restrict the access to some of the product's channels.

The Intimidator™ Spot LED 150 uses up to 11 DMX channels in its 11-channel DMX mode, which defines the highest configurable address to **502**.

If unfamiliar with the DMX, download the DMX Primer from www.chauvetlighting.com.

To select the starting address, do the following:

1. Press **<MODE/ESC>** repeatedly until **001** shows on the display.
2. Press **<ENTER>**.
3. Use **<UP>** or **<DOWN>** to select the starting address.
4. Press **<ENTER>**.

DMX Personalities

The Intimidator™ Spot LED 150 has two DMX personalities, a 6-channel personality and an 11-channel personality.











To choose which DMX personality to use, follow the steps below:

1. Press **<MODE/ESC>** repeatedly until either **11CH** (to choose the 11-channel personality) or **6CH** (to choose the 6-channel personality) shows on the display.
2. Press **<ENTER>**.

DMX Channel Assignments and Values

11-CH	Channel	Function	Value	Setting
	1	Pan	000 ó 255	0–540°
	2	Tilt	000 ó 255	0–270°
	3	Fine Pan	000 ó 255	Fine control of panning
	4	Fine Tilt	000 ó 255	Fine control of tilting
	5	Speed	000 ó 255	Pan/Tilt speed (fast to slow)
	6	Color Wheel	000 ó 005	White
			006 ó 011	Yellow
			012 ó 017	Magenta
			018 ó 023	Green
			024 ó 029	Red
			030 ó 035	Cyan
			036 ó 041	Orange
			042 ó 047	Blue
			048 ó 053	Light Green
			054 ó 063	Amber
			064 ó 069	White + Yellow
			070 ó 075	Yellow + Magenta
			076 ó 081	Magenta + Green
			082 ó 087	Green + Red
			088 ó 093	Red + Cyan
			094 ó 099	Cyan + Orange
			100 ó 105	Orange + Blue
	106 ó 111	Blue + Light Green		
	112 ó 117	Light Green + Amber		
	118 ó 127	Amber + White		
	128 ó 191	Color cycling rainbow with increasing speed		
	192 ó 255	Reverse color cycling rainbow with increasing speed		
	7	Shutter	000 ó 003	Blackout
			004 ó 007	Open
			008 ó 215	Strobe (0–20 Hz)
			216 ó 255	Open
	8	Dimmer	000 ó 255	0–100%

11-CH (cont.)	Channel	Function	Value	Setting
9	Gobo Wheel		000 - 005	
			006 - 011	
			012 - 017	
			018 - 023	
			024 - 029	
			030 - 035	
			036 - 041	
			042 - 047	
			048 - 053	
			054 - 063	
			064 ó 071	Gobo 9 shake, from slow to fast
			072 ó 079	Gobo 8 shake, from slow to fast
			080 ó 085	Gobo 7 shake, from slow to fast
			086 ó 091	Gobo 6 shake, from slow to fast
			092 ó 097	Gobo 5 shake, from slow to fast
			098 ó 103	Gobo 4 shake, from slow to fast
			104 ó 109	Gobo 3 shake, from slow to fast
			110 ó 115	Gobo 2 shake, from slow to fast
			116 ó 121	Gobo 1 shake, from slow to fast
122 ó 127	Open			
128 ó 191	Cycle effect with increasing speed			
192 ó 255	Reverse cycle effect with increasing speed			
10	Control Functions		000 ó 007	No function
			008 ó 027	Blackout while pan/tilt moving
			028 ó 047	Blackout while moving gobo wheel
			048 ó 067	Disable blackout while pan/tilt/moving gobo wheel
			068 ó 087	Blackout while moving color wheel
			088 ó 107	Disable blackout while pan/tilt/moving color wheel
			108 ó 127	Disable blackout while moving gobo/color wheel
			128 ó 147	Disable blackout while moving all options
			148 ó 167	Reset pan
			168 ó 187	Reset tilt
			188 ó 207	Reset color wheel
			208 ó 227	Reset gobo wheel
			228 ó 247	Reset all channels
			248 ó 255	No function
11	Movement Macros		000 ó 007	No function
			008 ó 023	Automatic movement 1
			024 ó 039	Automatic movement 2
			040 ó 055	Automatic movement 3
			056 ó 071	Automatic movement 4
			072 ó 087	Automatic movement 5
			088 ó 103	Automatic movement 6
			104 ó 119	Automatic movement 7
			120 ó 135	Automatic movement 8
			136 ó 151	Sound-active movement 1
			152 ó 167	Sound-active movement 2
			168 ó 183	Sound-active movement 3
			184 ó 199	Sound-active movement 4
			200 ó 215	Sound-active movement 5
			216 ó 231	Sound-active movement 6
			232 ó 247	Sound-active movement 7
			248 ó 255	Sound-active movement 8

6-CH	Channel	Function	Value	Setting			
	1	Pan	000 ó 255	0–540°			
	2	Tilt	000 ó 255	0–270°			
	3	Color	000 ó 005	White			
			006 ó 011	Yellow			
			012 ó 017	Magenta			
			018 ó 023	Green			
			024 ó 029	Red			
			030 ó 035	Cyan			
			036 ó 041	Orange			
			042 ó 047	Blue			
			048 ó 053	Light Green			
			054 ó 063	Amber			
			064 ó 069	White + Yellow			
			070 ó 075	Yellow + Magenta			
			076 ó 081	Magenta + Green			
			082 ó 087	Green + Red			
			088 ó 093	Red + Cyan			
			094 ó 099	Cyan + Orange			
			100 ó 105	Orange + Blue			
			106 ó 111	Blue + Light Green			
			112 ó 117	Light Green + Amber			
	118 ó 127	Amber + White					
	128 ó 191	Color cycling rainbow with increasing speed					
	192 ó 255	Reverse color cycling rainbow with increasing speed					
	4	Shutter	000 ó 003	Blackout			
			004 ó 007	Open			
			008 ó 215	Strobe (0–20 Hz)			
			216 ó 255	Open			
	5	Dimmer	000 ó 255	0–100%			
	6	Gobo Wheel					
			000 - 005	006 - 011	012 - 017	018 - 023	024 - 029
							
			030 - 035	036 - 041	042 - 047	048 - 053	054 - 063
			064 ó 071	Gobo 9 shake, from slow to fast			
			072 ó 079	Gobo 8 shake, from slow to fast			
			080 ó 085	Gobo 7 shake, from slow to fast			
			086 ó 091	Gobo 6 shake, from slow to fast			
			092 ó 097	Gobo 5 shake, from slow to fast			
			098 ó 103	Gobo 4 shake, from slow to fast			
			104 ó 109	Gobo 3 shake, from slow to fast			
			110 ó 115	Gobo 2 shake, from slow to fast			
			116 ó 121	Gobo 1 shake, from slow to fast			
			122 ó 127	Open			
			128 ó 191	Cycle effect with increasing speed			
			192 ó 255	Reverse cycle effect with increasing speed			

Configuration (Standalone)

Set the product in one of the standalone modes to control without a DMX controller.

1. Connect the product to a suitable power outlet.
2. Turn the product on.



Never connect a product that is operating in any standalone mode (either Static, Automatic, or Sound) to a DMX string connected to a DMX controller. Products in standalone mode may transmit DMX signals that could interfere with the DMX signals from the controller.

Sound-Active Mode

To enable the Sound-Active mode, do the following:

1. Press **<MODE/ESC>** repeatedly until one of the following shows on the display: **NASL**, **NAFA**, **NStS**, or **SLAv**.
2. Press **<UP>** or **<DOWN>** to select **NStS**.
3. Press **<ENTER>**.



The product will only respond to low frequencies of music (bass and drums).

Automatic Mode

To enable the Automatic mode, follow the instructions below:

1. Press **<MODE/ESC>** repeatedly until one of the following shows on the display: **NASL**, **NAFA**, **NStS**, or **SLAv**.
2. Press **<UP>** or **<DOWN>** to select **NASL** (for a slow light show) or **NAFA** (for a fast light show).
3. Press **<ENTER>**.

Manual Pan/Tilt Operation

To select whether you want the Intimidator™ Spot LED 150 to operate with normal panning or inverted panning, do the following:

1. Press **<MODE/ESC>** repeatedly until **PAn** shows on the display.
2. Press **<UP>** or **<DOWN>** to select normal pan operation (**PAn**) or inverse pan operation (**r PAn**).
3. Press **<ENTER>**.

To select whether you want the Intimidator™ Spot LED 150 to operate with normal tilting or inverted tilting, do the following:

1. Press **<MODE/ESC>** repeatedly until **tiL** shows on the display.
2. Press **<UP>** or **<DOWN>** to select normal pan operation (**tiL**) or inverse pan operation (**r tiL**).
3. Press **<ENTER>**.

Pan/Tilt Angle Range

You are able to restrict the pan and tilt angles on the Intimidator™ Spot LED 150 to achieve the effect you like.

To select which pan angle range to use, do the following:

1. Press **<MODE/ESC>** repeatedly until **PA54** shows on the display.
2. Press **<UP>** or **<DOWN>** to select 540° (**PA54**), 360° (**PA36**) or 180° (**PA18**).
3. Press **<ENTER>**.

To select which tilt range to use, do the following:

1. Press **<MODE/ESC>** repeatedly until **Ti27** shows on the display.
2. Press **<UP>** or **<DOWN>** to select either 270° (**Ti27**), 180° (**Ti18**) or 90° (**Ti 9**).
3. Press **<ENTER>**.

Display Orientation

You are able to flip the LED display for easy readability in any mounting situation.

To select your display angle:

1. Press **<MODE/ESC>** repeatedly until **diS** shows on the display.
2. Press **<UP>** or **<DOWN>** to select normal display mode (**diS**) or inverse display mode (**r diS**).
3. Press **<ENTER>**.

Master/Slave Mode

The Master/Slave mode allows a single Intimidator™ Spot LED 150 unit (the master) to control the actions of one or more Intimidator™ Spot LED 150 units (the slaves) without the need of a DMX controller. The master unit will be set to operate in either Automatic or Sound-Active mode, while the slave units will be set to operate in Slave mode. Once set and connected, the slave units will operate in unison with the master unit.

Configure the units as indicated below.

Slave units:

1. Press **<MODE/ESC>** repeatedly until **SLAv** shows on the display.
2. Press **<ENTER>** to accept.
3. Set the DMX address to **001**.
4. Connect the DMX input of the first slave unit to the DMX output of the master unit.
5. Connect the DMX input of the subsequent slave units to the DMX output of the previous slave unit.
6. Finish setting and connecting all the slave units.

Master unit:

1. Set the master unit to operate in either Automatic or Sound mode.
2. Make the master unit the first unit in the DMX daisy chain.

· **Configure all the slave units before connecting the master unit to the DMX daisy chain.**



· **Never connect a DMX controller to a DMX string configured for Master/Slave operation because the controller may interfere with the signals from the master unit.**

· **Do not connect more than 31 slave units to the master unit.**

Reset Software

To reset the software on the Intimidator™ Spot LED 150, do the following:

1. Press **<MODE/ESC>** repeatedly until **rESt** shows on the display.
2. Press **<ENTER>**. The product will reset all settings in the software to the default factory settings.

5. TECHNICAL INFORMATION

Product Maintenance

Dust build up reduces light output performance and can cause overheating. This can lead to reduction of the light source's life and/or mechanical wear. To maintain optimum performance and minimize wear, you should clean your lighting products at least twice a month. However, be aware that usage and environmental conditions could be contributing factors to increase the cleaning frequency.

To clean the product, follow the instructions below:

1. Unplug the product from power.
2. Wait until the product is at room temperature.
3. Use a vacuum (or dry compressed air) and a soft brush to remove dust collected on the external surface/vents.
4. Clean all external optics with a mild soap solution, ammonia-free glass cleaner, or isopropyl alcohol.
5. Apply the solution directly to a soft, lint-free cotton cloth or a lens cleaning tissue.
6. Softly drag any dirt or grime to the outside edges of the external optics.
7. Gently polish the external optics until they are free of haze and lint.



Always dry the external optics carefully after cleaning them.



Do not spin the cooling fan/fans using compressed air because you could damage it/them.

6. TECHNICAL SPECIFICATIONS

Dimensions and Weight	Length	Width	Height	Weight
	8.1 in (205 mm)	8.3 in (211 mm)	11.5 in (291 mm)	9.3 lbs (4.2 kg)

Note: Dimensions in inches rounded to the nearest decimal digit.

Power	Power Supply Type	Range	Voltage Selection
	Switching (internal)	100~240 V, 50/60 Hz	Auto-ranging

Parameter	120 V, 60 Hz	230 V, 50 Hz
Consumption	88 W	92 W
Operating	0.7 A	0.4 A
Power linking current (units)	8 A (6 units)	8 A (12 units)
Fuse	F 2 A, 250 V	F 2 A, 250 V

Power I/O	US/Worldwide	UK/Europe
Power input connector	IEC	IEC
Power output connector	Edison	IEC
Power Cord plug	Edison (US)	Local plug

Light Source	Type	Power	Lifespan
	LED	25 W	50,000 hours

Color	Quantity	Current
White	1	1.5 A

Photo Optic	Parameter		
	Illuminance @ 2 m	4300 lux	
	Beam angle	15°	
	Strobe rate	0~20 Hz	
	Pan & Tilt	540°	270°
	Pan/Tilt Ranges	540°, 360°, 180° Pan	270°, 180°, 90° Tilt

Thermal	Maximum External Temp.	Cooling System
	104° F (40° C)	Fan

DMX	I/O Connectors	Connector Type	Channel Range
	3-pin XLR	Sockets	6, 11

Ordering	Product Name	Item Code	Item Number
	Intimidator™ Spot LED 150	08010176	INTSPOTLED150



To return a product or request support:

- In the U.S., contact Chauvet World Headquarters (See [Contact Us](#)).
- In the UK or Ireland, contact Chauvet Europe Ltd. (See [Contact Us](#)).
- In Mexico, contact Chauvet Mexico. (See [Contact Us](#)).
- In any other country, DO NOT contact Chauvet. Instead, contact your lighting distributor. See www.chauvetlighting.com for distributors outside the U.S., UK, Ireland, or Mexico.



Outside the U.S., UK, Ireland, or Mexico, contact your distributor and follow their instructions on how to return Chauvet products to them. Visit our website for contact details.

Returns

Call the corresponding Chauvet Technical Support office and request a Return Merchandise Authorization (RMA) number before shipping the product. Be prepared to provide the model number, serial number, and a brief description of the cause for the return.

You must send the merchandise prepaid, in its original box, and with its original packing and accessories. Chauvet will not issue call tags.

Clearly label the package with the RMA number. Chauvet will refuse any product returned without an RMA number.



Write the RMA number on a properly affixed label. DO NOT write the RMA number directly on the box.

Before sending the product, clearly write the following information on a piece of paper and place it inside the box:

- Your name
- Your address
- Your phone number
- RMA number
- A brief description of the problem

Be sure to pack the product properly. Any shipping damage resulting from inadequate packaging will be your responsibility. FedEx packing or double-boxing are recommended.



Chauvet reserves the right to use its own discretion to repair or replace returned product(s).

CONTACT US

WORLD HEADQUARTERS - Chauvet

General Information

Address: 5200 NW 108th Avenue
Sunrise, FL 33351
Voice: (954) 577-4455
Fax: (954) 929-5560
Toll free: (800) 762-1084

Technical Support

Voice: (954) 577-4455 (Press 4)
Fax: (954) 756-8015
Email: tech@chauvetlighting.com

World Wide Web www.chauvetlighting.com

UNITED KINGDOM AND IRELAND - Chauvet Europe Ltd.

General Information

Address: Unit 1C
Brookhill Road Industrial Estate
Pinxton, Nottingham, UK
NG16 6NT
Voice: +44 (0)1773 511115
Fax: +44 (0)1773 511110

Technical Support

Email: uktech@chauvetlighting.com

World Wide Web www.chauvetlighting.co.uk

MEXICO - Chauvet Mexico

General Information

Address: Av. Santa Ana 30
Parque Industrial Lerma
Lerma, Mexico C.P. 52000
Voice: +52 (728) 285-5000

Technical Support

Email: servicio@chauvet.com.mx

World Wide Web www.chauvet.com.mx

Outside the U.S., United Kingdom, Ireland, or Mexico, contact the dealer of record and follow their instructions to request support or to return a product. Visit the Chauvet website for contact information.